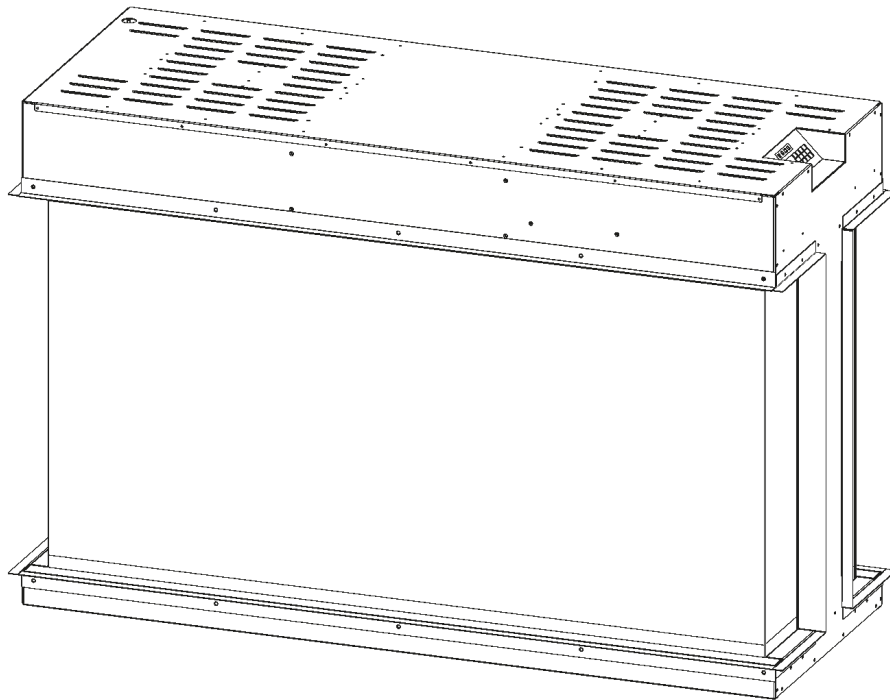


NOVA® CLEAR
MODEL #: NOVA48-CLR
OWNER'S / INSTALLATION MANUAL

MODERN  **FLAMES®**
ELECTRIC FIREPLACES



AC 120 V 60 Hz 1200 W (4100 BTU's)
AC 240 V 60 Hz 2400 W (8200 BTU's)



Read and understand this entire owner's manual, including **all safety information**, before plugging in or **using** this product. Failure to do so could result in **fire, electric shock, or serious personal injury**.



Keep this owner's manual for future reference. If you sell or give this product away, **make sure this manual accompanies this product**.

AFFIX SERIAL NUMBER LABEL HERE
FOR FUTURE REFERENCE



5023705

07-00214



IMPORTANT SAFETY INFORMATION!

- Read all instructions before installing or using this heater.
- Use a dedicated 15 amp minimum circuit. A 20 amp circuit is preferred. For 240V splitphase dual-heater operation (8,200 BTU's), use a dedicated 2-pole circuit breaker.
- This heater is hot when in use. To avoid burns, DO NOT let bare skin touch hot surfaces. If provided, use handles when moving this heater. Keep combustible materials, such as furniture, pillows, bedding, papers, clothes, and curtains at least 3 feet (0.9m) from the front of the heater and keep them away from the sides and rear.
- Extreme caution is necessary when any heater is used by or near children or invalids and whenever the heater is left operating and unattended.
- Do not operate any heater if it malfunctions. Disconnect power at service panel and have the heater inspected by a reputable electrician before reusing.
- To disconnect the heater, turn the controls to off, and turn off power to the heater circuit at the main disconnect panel (or operate internal disconnect switch if provided).
- Do not insert or allow foreign objects to enter any ventilation or exhaust opening as this may cause an electric shock, fire, or damage the heater.
- To prevent a possible fire, do not block air intakes or exhaust in any manner.
- A heater has hot arcing or sparking parts inside. Do not use in areas where gasoline, paint, flammable vapors, or liquids are used or stored.
- Use this heater only as described in this manual. Any other use not recommended by the manufacturer may cause fire, electric shock, or injury to persons.
- This heater may include an audible or visual alarm to warn that parts of the heater are getting excessively hot. If the alarm sounds (or illuminates), immediately turn the heater off and inspect for any objects on or adjacent to the heater that may have blocked the airflow or otherwise caused high temperatures to have occurred. DO NOT OPERATE THE HEATER WITH THE ALARM SOUNDING (OR ILLUMINATING).
- ALWAYS plug heaters directly into a wall outlet/receptacle. NEVER use with an extension cord or relocatable power tap (outlet/power strip).
- NEVER use this heater in bathrooms, laundry rooms, or any other location where the heater could fall into a bathtub, pool, become damp, or come in contact with water.
- AVOID FIRE! Regularly inspect all air vents to make sure they are free from dust, lint, or other blockage. Unplug the unit and clean with a vacuum ONLY. DO NOT rinse or get wet.
- ALWAYS mount to wall bracket before use. DO NOT set on the floor, or other surface, to use.
- NEVER use a wall mount bracket from another manufacturer.
- This product is not intended to be a primary heat source. It is for supplemental heat only.



IMPORTANT SAFETY INFORMATION!

- ALWAYS disconnect this unit from the power supply before performing any assembly, cleaning, or before relocating the electric fireplace.
- NEVER leave this heater unattended. ALWAYS unplug this heater when not in use.
- ALWAYS store this heater in a dry location. NEVER use the fireplace if it has become wet.
- NEVER plug this heater into an outlet that is old, cracked, or has loose wires or connections. Plugging this heater into a faulty outlet could result in electric arcing within the outlet that could cause the outlet to overheat or catch fire.
- ALWAYS check your heater cord and plug connections with each use.
 - i) MAKE SURE the plug fits tightly in the outlet. Faulty wall outlet connections or loose plugs can cause the outlet to overheat.
 - ii) Heaters draw more current than small appliances. Overheating may occur even if it has not occurred with the use of other appliances.
 - iii) During use, check frequently to see if the plug outlet or face plate is HOT.
 - iv) If the outlet or face plate is HOT, discontinue use immediately and have a qualified electrician inspect and/or replace the faulty outlets.

FCC CAUTION

This device complies with part 15 of the FCC Rules. Operation is subject to the following two conditions: (1) this device may not cause harmful interference, and (2) this device must accept any interference received, including interference that may cause undesired operation.

Any changes or modifications not expressly approved by the party responsible for compliance could void the user's authority to operate the equipment.

NOTE: This equipment has been tested and found to comply with the limits for a Class B digital device, pursuant to Part 15 of the FCC Rules. These limits are designed to provide reasonable protection against harmful interference in a residential installation. This equipment generates, uses and can radiate radio frequency energy and, if not installed and used in accordance with the instructions, may cause harmful interference to radio communications. However, there is no guarantee that interference will not occur in a particular installation.

If this equipment does cause harmful interference to radio or television reception, which can be determined by turning the equipment off and on, the user is encouraged to try to correct the interference by one or more of the following measures:

- Reorient or relocate the receiving antenna.
- Increase the separation between the equipment and receiver.
- Connect the equipment into an outlet on a circuit different from that to which the receiver is connected.
- Consult the dealer or an experienced radio/TV technician for help.

To maintain compliance with FCC's RF exposure guidelines, this equipment should be installed and operated with minimum distance between 20cm from the radiator and your body: Use only the supplied antenna.

SAVE THESE INSTRUCTIONS

Table of Contents

PREPARATION	5
PARTS AND HARDWARE	5
DIMENSIONS AND SPECIFICATIONS	6
GLASS REMOVAL/INSTALLATION	7
SIDE GLASS INSTALLATION	8
INSTALLATION STYLES	9-10
BUILT-IN INSTALLATION FRAMING	11
BUILT-IN INSTALLATION	12-13
HARDWIRING INSTALLATION	14-15
HEATER CONFIGURATION	16-17
LOG AND CRUSHED GLASS INSTALLATION	18
SOUND MODES	19
LOG LIGHTING	19
OPERATION	20
OPERATION: TOUCH CONTROL PANEL	21
OPERATION: REMOTE CONTROL	22-23
OPERATION: PICTURE IN PICTURE	24-29
OPERATION: SMART PHONE APP	30
OPERATION: STREAMING DEVICES	31
OPERATION: IMPORTANT WARNINGS	32
CARE, CLEANING AND MAINTENANCE	33
REPLACEMENT PARTS LIST	34

Preparation

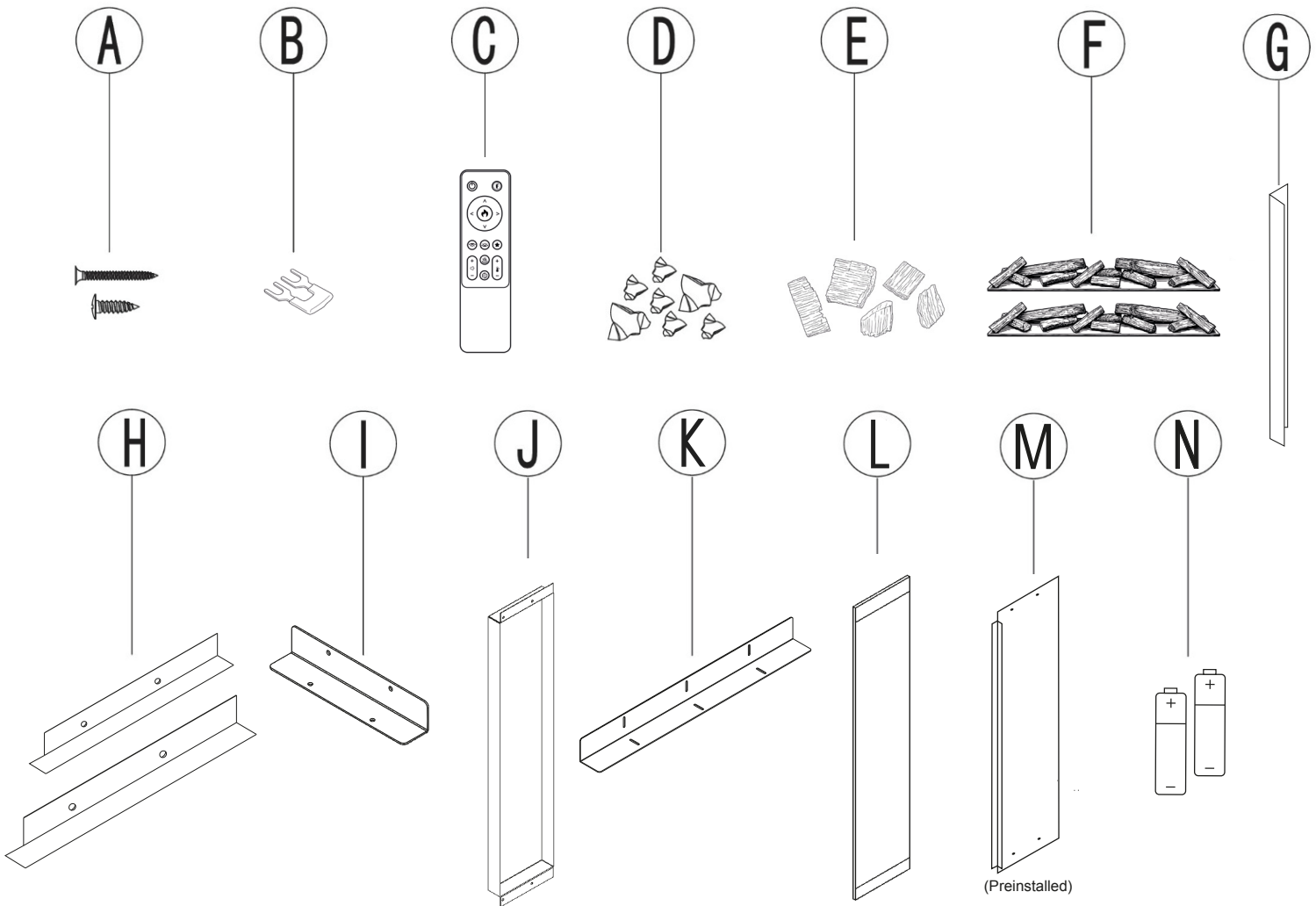


This product includes a GLASS panel. Always use extreme caution when handling glass. Failure to do so could result in personal injury or property damage.

Remove all parts and hardware from the carton and place them on a clean, soft, dry surface. Check the parts list to make sure nothing is missing. Dispose of packaging materials properly. Please recycle whenever possible.

You will need the following tools (not included): Phillips screwdriver, level, tape measure, electric drill, wood drill bits, hammer.

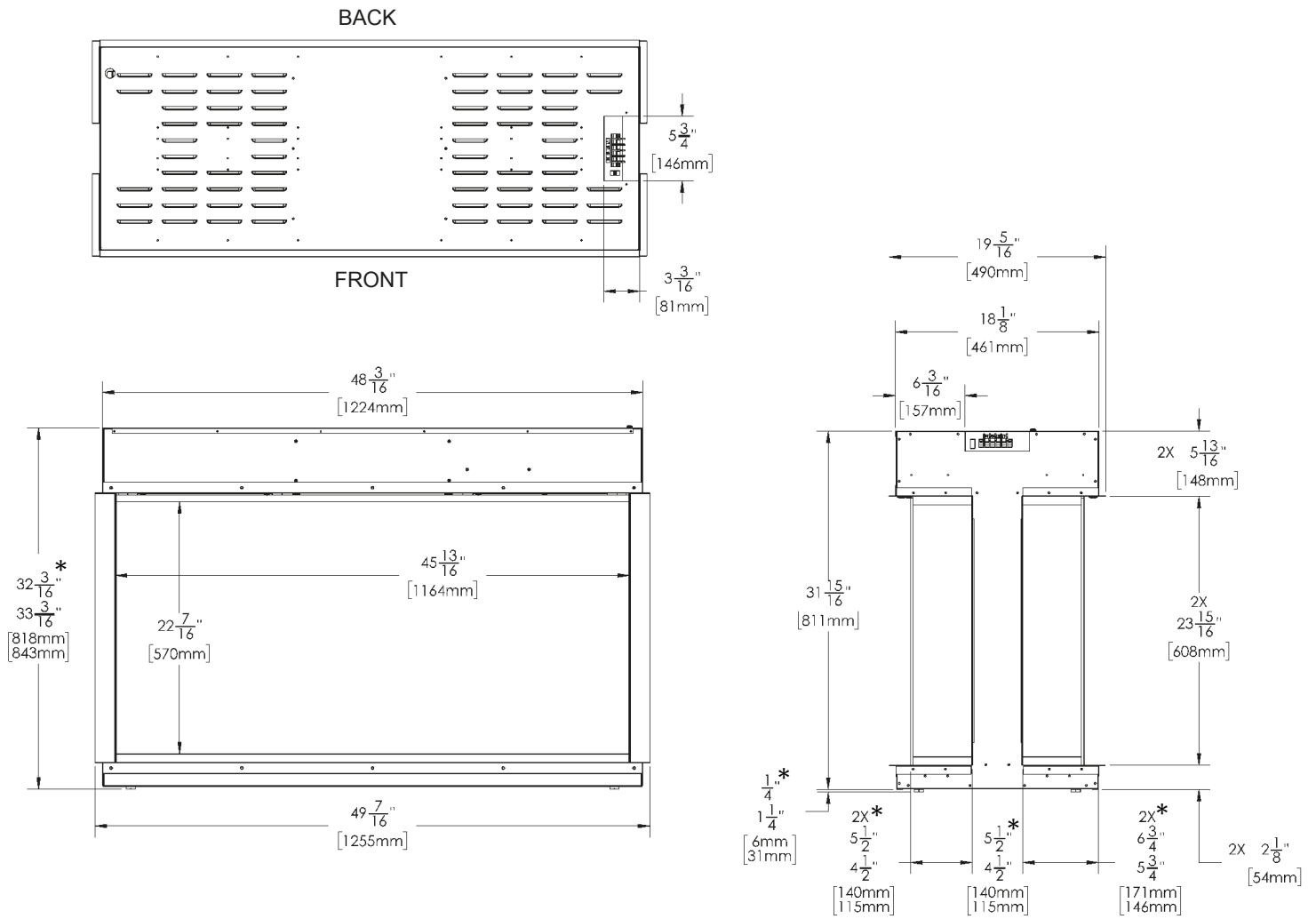
Parts and Hardware



PART NO.	DESCRIPTION
A	Screw Kit
B	Power Jumper
C	Remote Control
D	Crushed Glass
E	Wood Chips
F	Lit Log Set
G	Vertical Drywall Stop

PART NO.	DESCRIPTION
H	2x4 & 2x6 Drywall stops
I	Cabinet mounting Brackets
J	Side Filler Trim
K	"L" Metal Installation Brackets
L	Side Glass
M	Single Sided Install Panels
N	AAA Batteries

Dimensions and Specifications



* Measurements are adjustable

Note: Use this page for appliance size and orientation

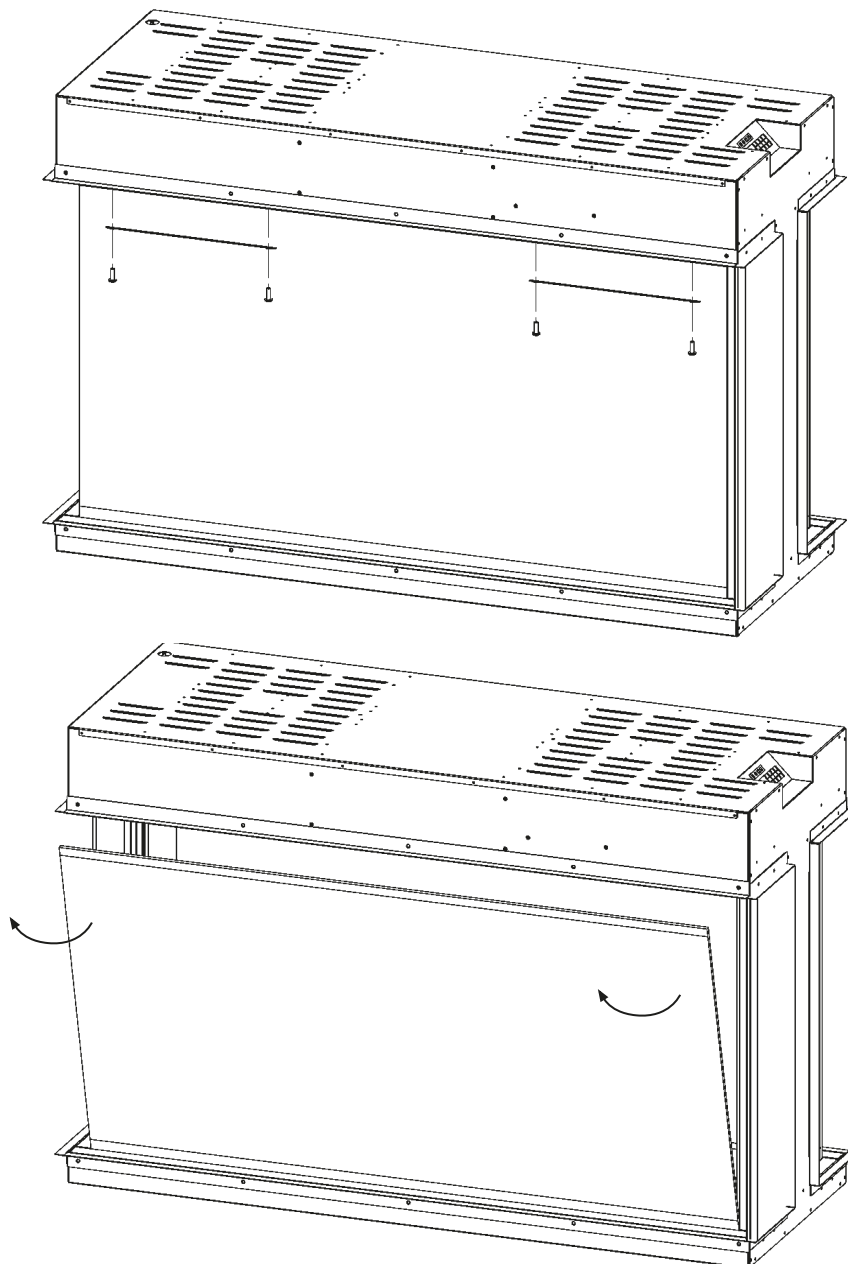
Glass Removal/Installation



This product includes a GLASS panel. Always use extreme caution when handling glass. Failure to do so could result in personal injury or property damage.

Removing Front and Back Glass

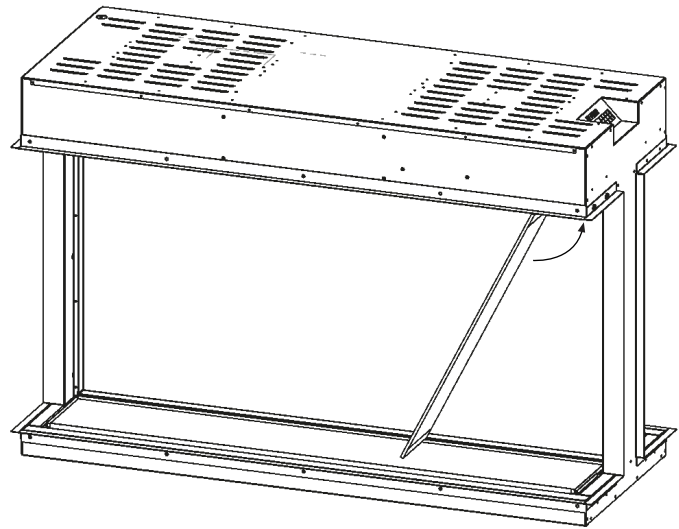
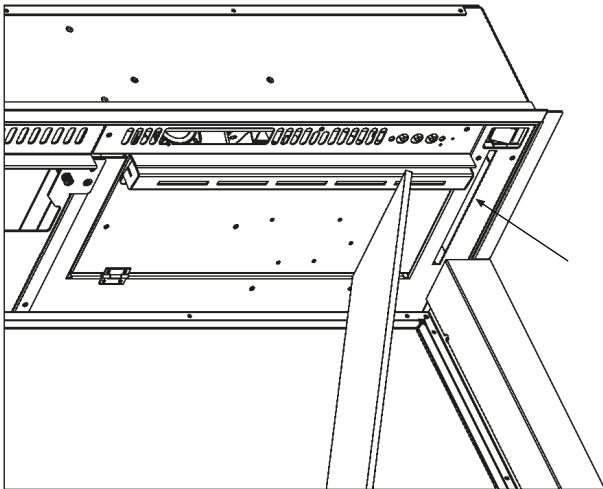
- With one hand on the front glass to prevent it from falling, remove the four screws (two per bracket) and two brackets from the underside of the viewing area of the fireplace. Set the screws and brackets aside.
- Carefully tilt the top edge of the glass away from the appliance. Once the top edge of the glass is free from the fireplace, lift on the glass to fully remove it. Place the glass on a soft, nonabrasive surface.
- Reverse these steps to re-install the front and back glass.



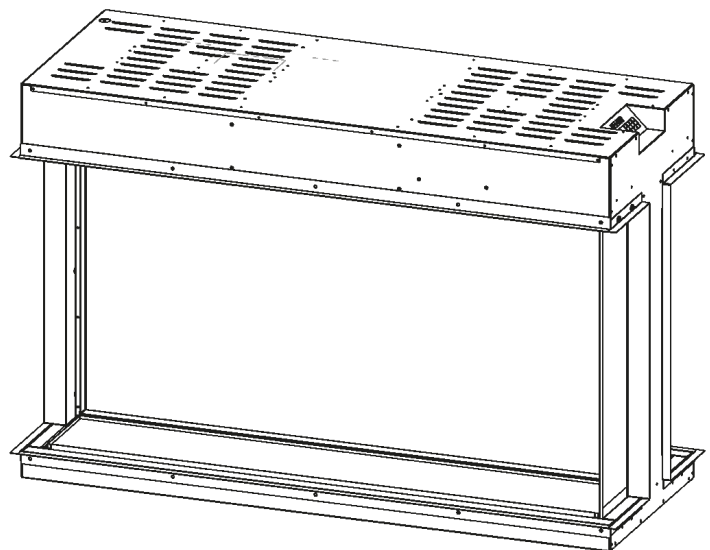
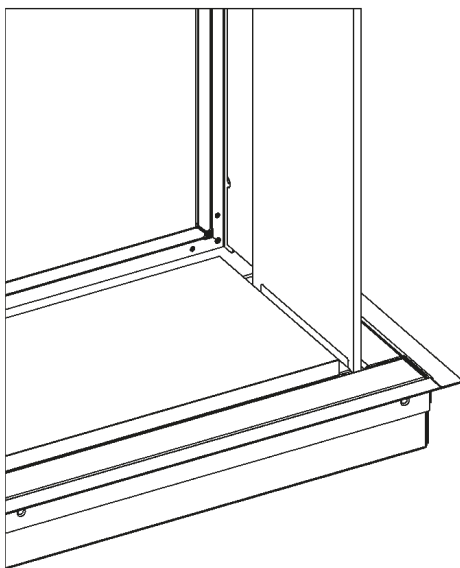
Side Glass Installation

Adding the Side Glass

- Remove the side glass pieces (4 pieces) from the accessories box and unwrap the protective plastic.
- With the front glass removed, insert the side glass at an angle, inside the viewing area of the fireplace.
- Insert the top of the side glass into the glass receiver and rotate the bottom of the glass until it is vertical.



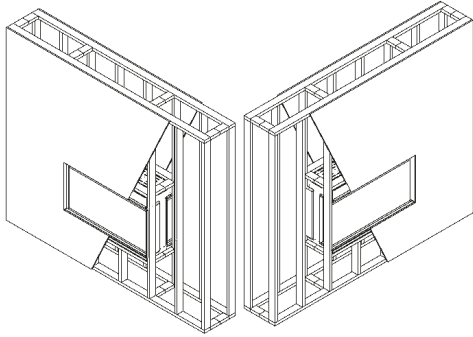
- Once vertical, gently place the bottom of the side glass in the bottom receiver, next to the ember bed.
- Repeat for all four pieces of side glass.



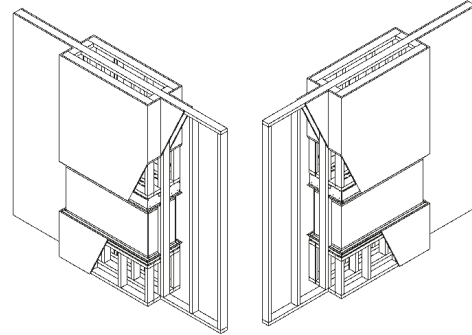
Installation Styles

These are the most common Installation Styles and can be used in any configuration.
Follow installation section below.

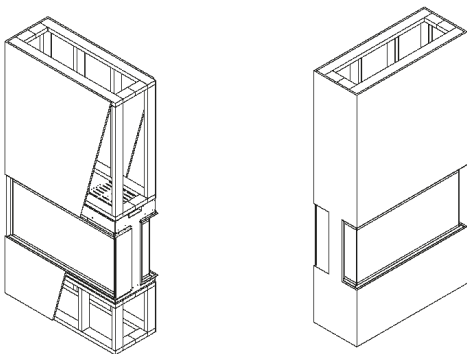
Built-In Single-Sided Installation



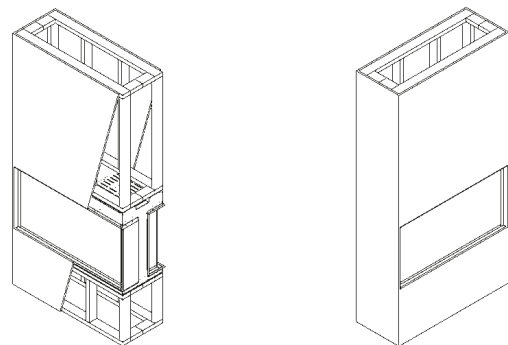
Built-In Bay Installation



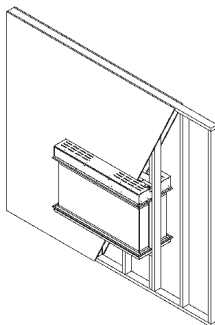
Island Bay Installation



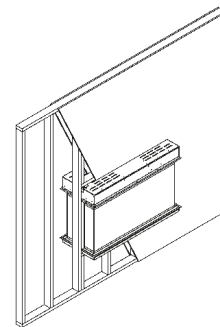
Island Single-Sided Installation



Floating 2x4 Wall Installation



Floating 2x6 Wall Installation



For wall depth & position, see pages 10 & 11.
Use page 6 for appliance dimensions.

Built-In Installation Framing



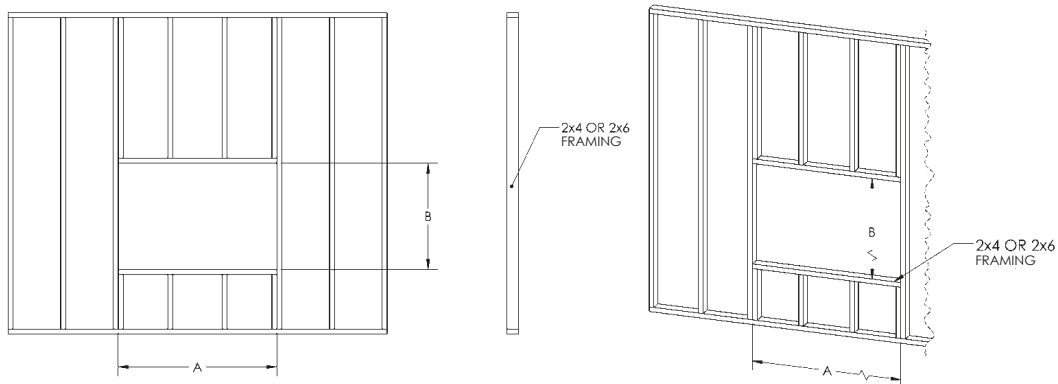
Due to different materials used on different walls, it is highly recommended for you to consulting with your local builder before you install this electric fireplace.



Before cutting any custom finishings (i.e. granite, marble, veneer, etc.) it is recommended to double-check the dimensions of the actual fireplace.

- Select a location that is not prone to moisture and is located at least 36" (914 mm) away from combustible materials such as curtain drapes, furniture, bedding, paper, etc.
- Measure the appliance and create a rough-in frame with electrical (see "Rough Opening Framing Dimensions"). Electrical to be at the top right of the rough-in framing.
- Remove the front glass (see "Glass Removal/Installation" section).
- Hold the appliance up to ensure it will fit into the framing.
- Framing illustrations for reference only. Consult your local building codes for appropriate framing instructions.

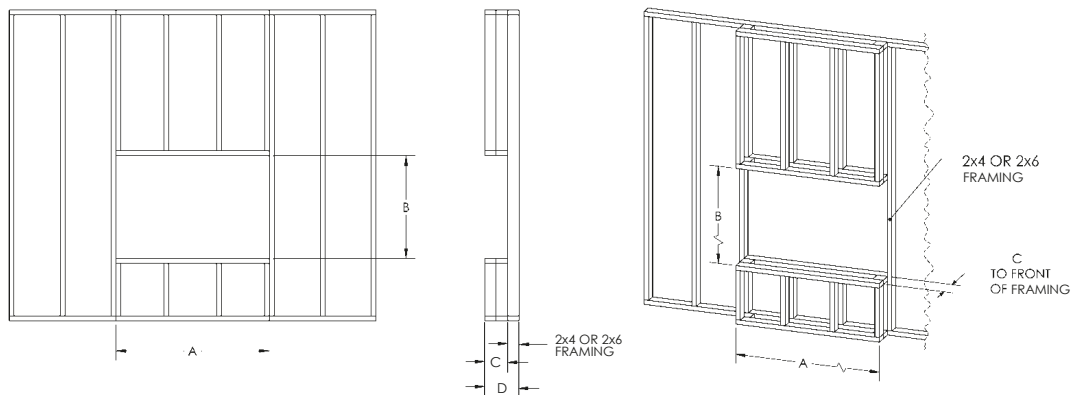
FLOATING



2x4 & 2x6 Rough Framing Dimensions

A	B
48-5/16" [1227mm]	32-3/8" [822mm]

BAY

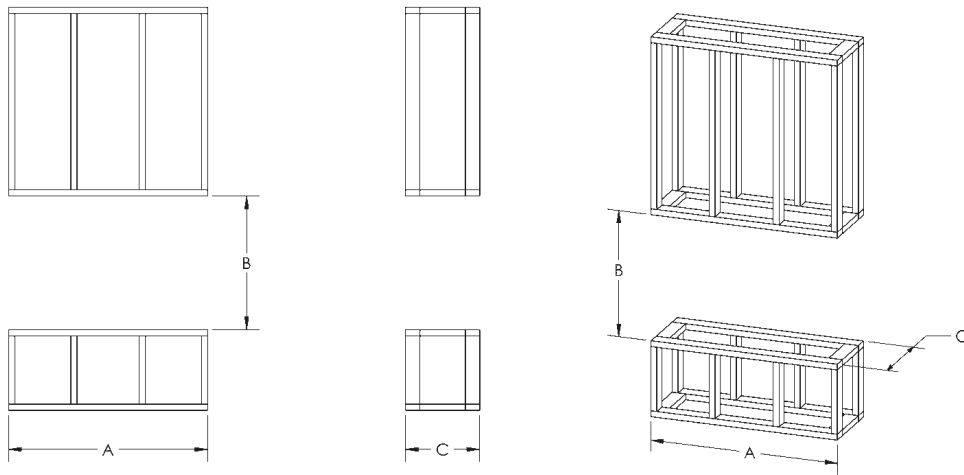


Rough Framing Dimensions

A	B	C	D	Framing
48-3/16" [1224mm]	32-3/8" [822mm]	7-5/16" [186mm]	10-13/16" [275mm]	2x4
		6-5/16" [160mm]	11-13/16" [300mm]	2x6

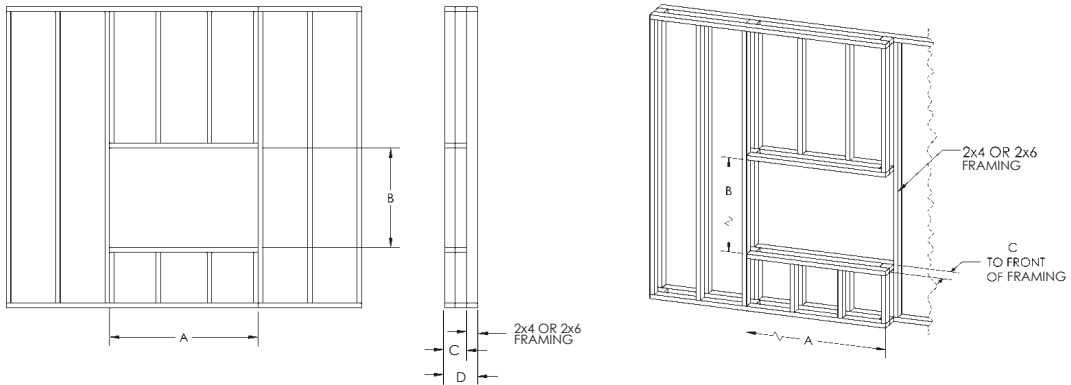
Built-In Installation Framing

ISLAND



Rough Framing Dimensions		
A	B	C
48-3/16" [1224mm]	32-3/8" [822mm]	18-1/8" [461mm]

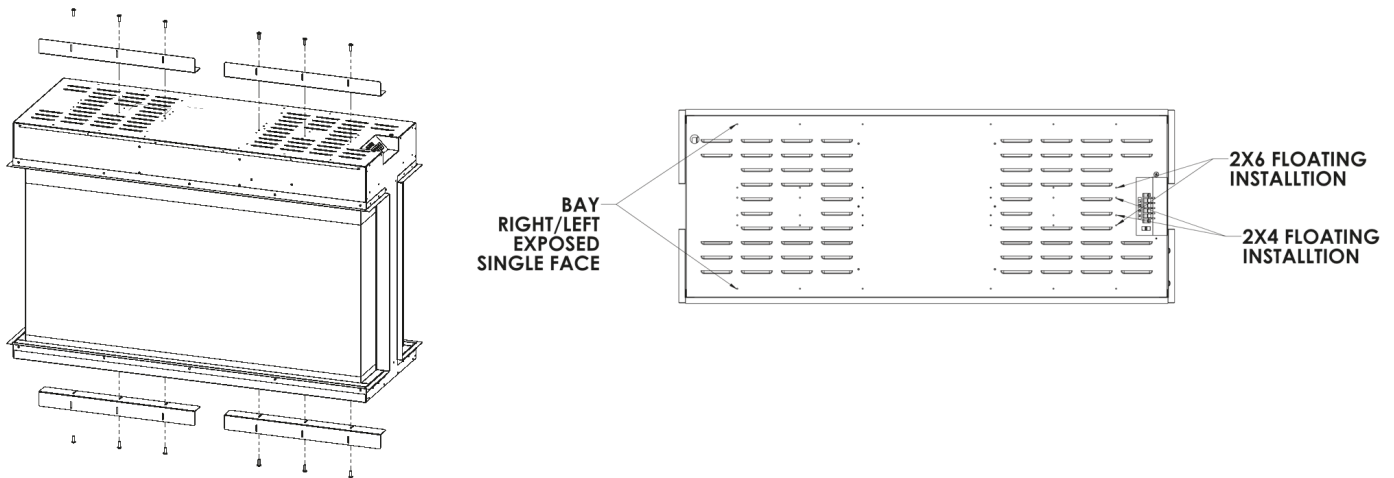
SIDE EXPOSED



Rough Framing Dimensions				
A	B	C	D	Framing
48-3/16" [1224mm]	32-3/8" [822mm]	7-5/16" [186mm]	10-13/16" [275mm]	2x4
		6-5/16" [160mm]	11-13/16" [300mm]	2x6

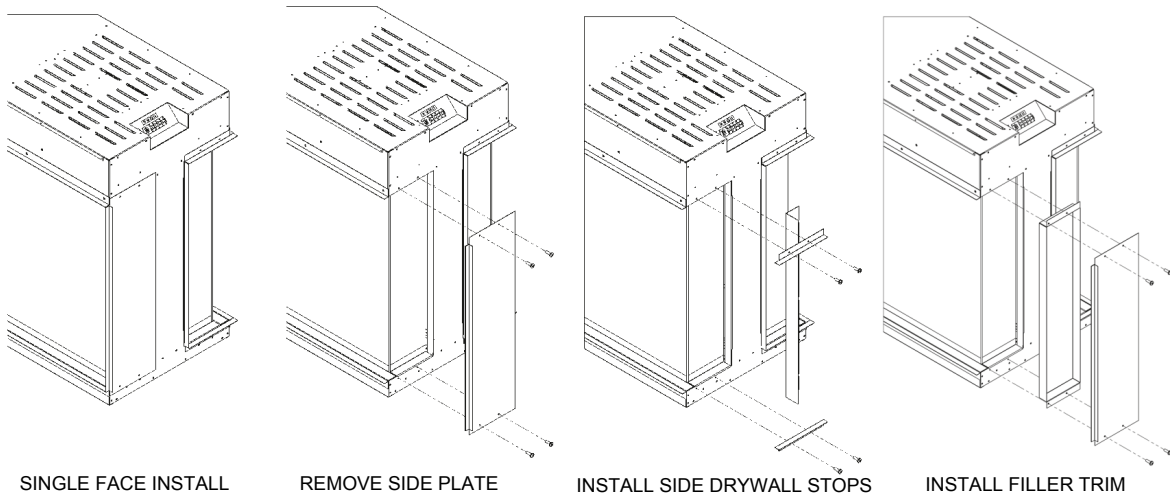
Built-In Installation

- Determine the desired installation style. See “Installation Styles” page 9.
- Prepare the framed opening according to the “Framed Opening Dimensions” chart for the selected installation style. Ensure an appropriate dedicated power circuit is provided at the top right of the frame opening.
- Remove the front glass. See “Glass Removal/Installation” page 7.
- Install the “L” Metal Nailing Flanges to both the top and bottom of the fireplace. Pay special attention when installing the “L” Metal Nailing Flanges as there are multiple sets of mounting holes depending on the installation style. The “L” Metal Nailing Flanges are only required on either the front or the back of the fireplace; not both.



If installing:

- **Single-Sided** – No changes required. Optionally, install the filler trim to remove the gap between the side glass and the side plate. To do so, remove the side plate, install the filler trim using the same mounting holes as the side plate, and then reinstall the side plate over the filler trim.
- **2-Sided** – Remove the side plate covering the side glass on the exposed side of the fireplace. Install the drywall stop (shipped loose) on the exposed side of the fireplace. Store the removed side plate and extra drywall stop in a safe place.
- **3-Sided/Bay** – Remove the side plates covering the side glass on both sides of the fireplace. Install the drywall stops (shipped loose) where the side plates were. Store the side plates in a safe place.



SINGLE FACE INSTALL

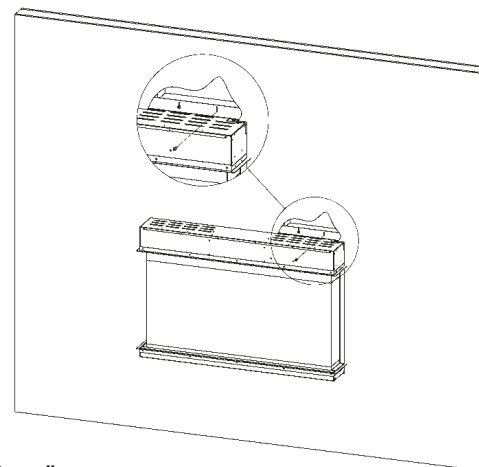
REMOVE SIDE PLATE

INSTALL SIDE DRYWALL STOPS

INSTALL FILLER TRIM

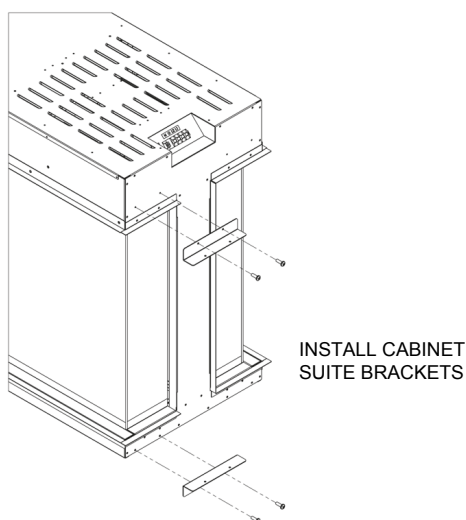
Built-In Installation (Continued)

- Hardwire the fireplace to the dedicated power circuit. See “Hardwiring Installation” page 14.
- Install the fireplace in the framed opening. Adjust the adjustable feet as needed to ensure the fireplace is level.
- Fasten the fireplace to the framing using the “L” Metal Nailing Flanges and drywall screws that have a minimum length of 1-1/4” (32mm).
- Mask the exposed viewing area of the fireplace prior to texturing/finalizing the framed wall.
- Decorate according to the media installation guide. See “Lit Logs and Glass Installation” page 18.
- Install the front and back glass. See “Glass Removal/Installation.”



For 2 x 4 or 2 x 6 floating installations, the Studio Suite Mantel Package (sold separately) is recommended for a finished appearance. A custom-built finish mantel may also be used. In either case, the included Cabinet Mount Brackets must be installed for this type of installation.

- Mount the fireplace in its final installation location before installing the Cabinet Mount Brackets.
- Remove the Side Plates and install the Side Drywall Stops as shown in the 3-Sided/Bay Installation section.
- Install the four Cabinet Mount Brackets. Position two near the top of the fireplace, one on each side, and two near the bottom, one on each side.
 - Using screws from the hardware kit, secure the upper Cabinet Mount Brackets to the fireplace with two screws per bracket.
 - Remove the two screws along the lower front edge of the fireplace and reuse them to install the lower Cabinet Mount Brackets.
- If using the Studio Suite Mantel Package, install it according to its installation instructions. If constructing a custom finish mantel, complete the finish installation as required.



Hardwiring Installation

**NOTE: A dedicated 15 amp is required.
A 20 amp breaker is preferred.**

The appliance must be electrically connected and grounded in accordance with local codes. In the absence of local codes, use the current CSA C22.1 Canadian Electrical Code in Canada or the current ANSI/NFPA 70 National Electrical Code in the USA.



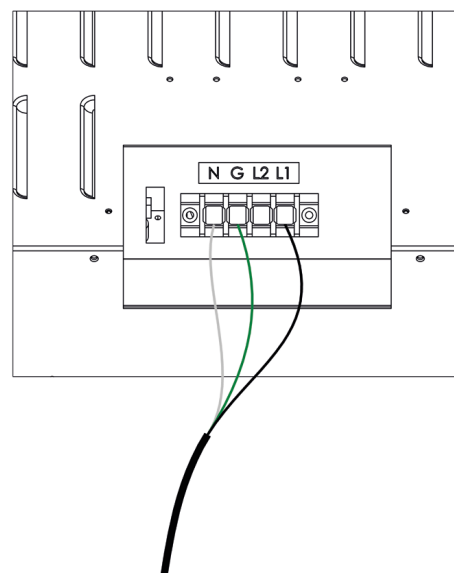
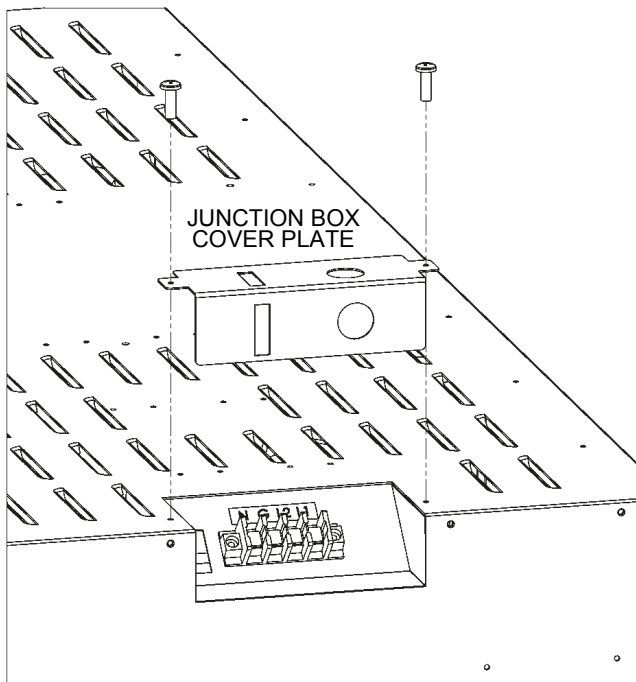
TURN OFF POWER FROM CIRCUIT BREAKER FIRST

120 Volt Power (4,100 BTU's):

Note:

Only 3 terminals will be used in the appliance junction box: white (neutral), black (power L1), and green/bare (ground) that are connected to 120V power source (circuit breaker panel).

- Ensure power from the circuit breaker is off.
- Remove the 2 securing screws from the junction box cover plate, located on the top, right-hand side of the appliance, as viewed from the front.
- Install the power supply wire through the junction box cover plate.
- From the power supply wire, connect the green/bare copper wire to ground (G), the white wire to neutral (N), and the black wire to Line1 (L1).
 - Note: L2 is only for 240V applications or when jumper is required. See heater configuration table for jumper requirements.
- Resecure the junction box cover plate using the 2 screws previously removed.



Hardwiring Installation (Continued)

240 Volt Power (8,200 BTU's):

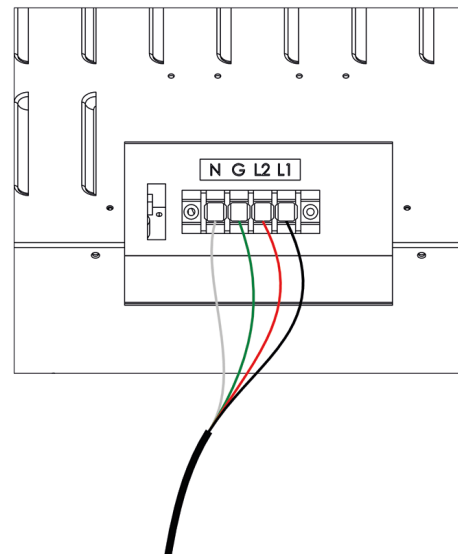
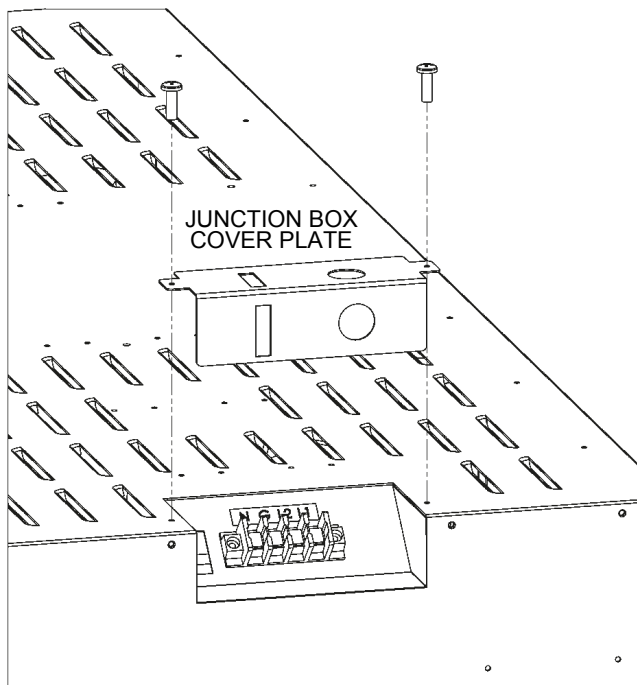
This fireplace is equipped with the ability to optionally wire with 240 volts, which will supply 8,200 BTU's of heat. A dedicated 240V, split-phase, 15 amp circuit is required. A 20 amp circuit is preferred.

Note:

All 4 terminals will be used in the appliance junction box: white (neutral), black (power L1), red (power L2), and green/bare (ground) that are connected to 240V power source (circuit breaker panel).

240V supply connection must include a neutral. Connection must be 4 wires (3 primary wires and a ground). L1 & L2 must be separate phases.

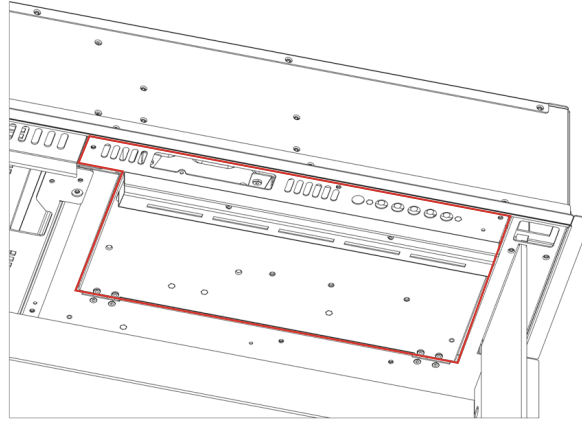
- Ensure power from the circuit breaker is off.
- Remove the 2 securing screws from the junction box cover plate, located on the top, right-hand side of the appliance, as viewed from the front.
- On the terminal block, locate the fourth position terminal that has the label covering the L2 terminal. The label indicates "220-240V Only". Remove the label.
- Install the power supply wire through the junction box cover plate.
- From the 4-wire, 240 volt power supply wire, connect the green/bare copper wire to ground (G), the white wire to neutral (N), the black wire to Line1 (L1), and the red wire to Line2 (L2).
- Re-secure the junction box cover plate using the 2 screws previously removed.



Heater Configuration

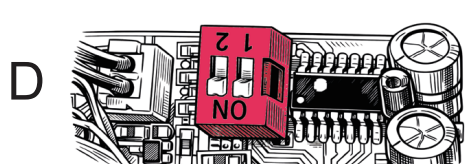
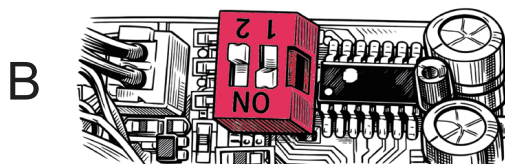
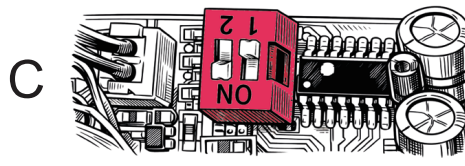
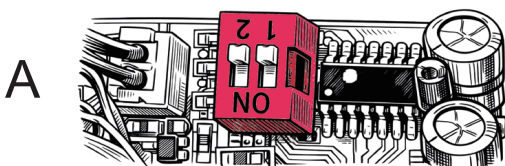
Configuring the Fireplace for the Desired Heater Outputs.

- Ensure power to the unit is OFF prior to setting the PCB dip switches.
- Remove front glass if not already removed.
- Open PCB Access panel, located on the front right of the fireplace.
- Locate and set PCB dip switches to desired heat setting. See below settings table and figures.
- Turn power ON to the fireplace and test desired setting is achieved.
- If the desired setting is not achieved confirm PCB dip switch settings and reset power to the fireplace. Reassemble.

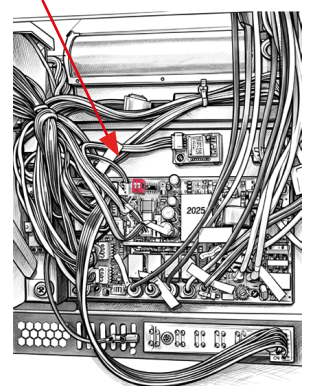


NOTE: Ensure the fireplace terminal block is wired according to the table on the following page. Fireplace will need to be power cycled for settings to be achieved, therefor ensure power is OFF prior to setting PCB dip switches.

Settings	Description	Additional info
A	Front & Back heat enabled.	Heater enabled for both the FRONT and the BACK of fireplace.
B	Front heat only.	Heater disabled ONLY for the BACK of fireplace.
C	Back heat only.	Heater disabled ONLY for the FRONT of the fireplace.
D	No Heat.	Heater disabled for both the FRONT and the BACK of fireplace.



DIP Switch Location



Heater Configuration

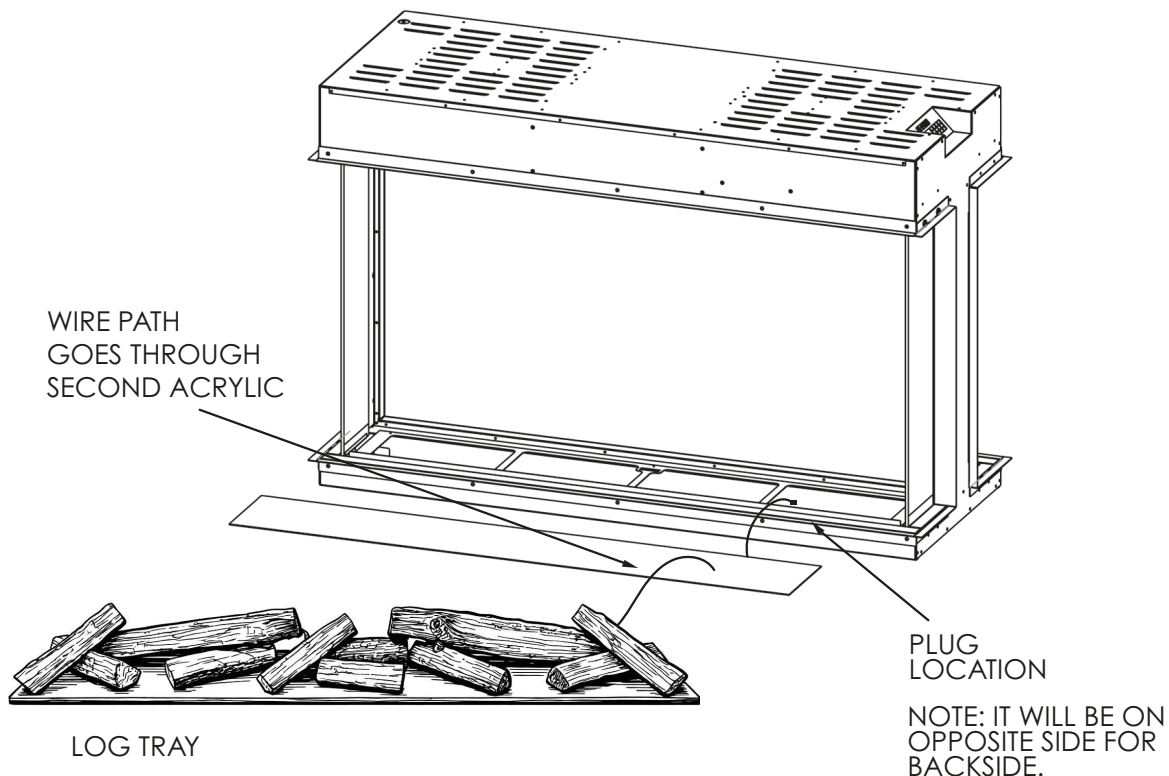
Heating Option	Supply Voltage	DIP Switch Setting	Line 1 (L1) Connected	Line 2 (L2) Connected	Neutral (N) Connected	Ground (G/⊕)	L1 to L2 Jumper	Front Heater Watts (W)	Rear Heater Watts (W)	Total Watts (W) (Heaters only)	Total Amps (A) (Heaters only)	Fireplace + Heaters total amps (A)	Approved breaker size
1 Front/Back 120V (Low Heat Only)	120V	A	Yes	No	Yes	Yes	No	600 (LOW)	600 (LOW)	1200	10	L1 ≈ 11.5	15 Amp (20 Amp preferred)
2 Front Only 120V (Low & High Heat)	120V	B	Yes	Yes (via L1-L2 jumper)	Yes	Yes	Yes	1200 (LOW + HIGH)	0	1200	10	L1 ≈ 11.5	15 Amp (20 Amp preferred)
3 Back Only 120V (Low & High Heat)	120V	C	Yes	Yes (via L1-L2 jumper)	Yes	Yes	Yes	0	1200 (LOW + HIGH)	1200	10	L1 ≈ 11.5	15 Amp (20 Amp preferred)
4 Heater Disabled	120V	D	Yes	No	Yes	Yes	No	0	0	0	0	L1 ≈ 1.5	15 Amp
5 Front / Back 240V (Low & High Heat for both sides)	240V (4-wire)	A	Yes	Yes	Yes	Yes	No	1200	1200	2400	10	L1 ≈ 11.5 A L2 ≈ 10 A Neutral ≈ 1.5 A (imbalance)	2-pole 15 Amp (2-pole 20 Amp preferred)

Safety note: Never install the L1-L2 on a 120V supply with DIP Switch set to "A". The jumper will backfeed L2 from L1 causing excessive load on the circuit. The jumper is never to be used for 240V applications.

Lit Log and Crushed Glass Installation

- Front glass must be removed and the appliance must be mounted in its final location before the log set and crushed glass are installed.
- Install the log set into the fireplace by threading the wired connection through the textured acrylic and plugging into the log set receiver with the painted side of the logs facing out. The log set receiver is located in the back, right side, of the ember bed. Ensure careful alignment when plugging in the connector, as it can only be installed in one orientation. (Connection back left for back of fireplace).
- Place acrylic and log set on the ember bed tray. Ensure it is behind the glass track.
- After the log set has been installed, arrange the glass media on the ember bed so that the entirety of the acrylic ember bed is covered. Sprinkle the wood chips over the crushed glass as desired. Ensure the front glass track is clear of media as this will prevent the front glass from being reinstalled.
- Repeat these steps for the opposite side of the fireplace.

Note: Ensure care is taken when handling logs and installing into the fireplace to avoid damage to logs and screen.



Sound Modes

The electric fireplace is equipped with an integrated audio system featuring multiple selectable sound modes to enhance environmental realism. To change sound modes, use the remote to turn on the on screen controls and select the desired Sound Mode or by using the Modern Flames App.

Normal Mode

A classic fireplace crackling audio effect designed to recreate the comforting sound of a real wood-burning fire.

Starry Night Mode

A calm nighttime ambient sound featuring soft nature-inspired audio for a relaxing atmosphere.

Stormy Night Mode

An immersive nighttime storm ambience with rain and distant thunder for a cozy, dramatic setting.

Bluetooth Mode

Connect your Bluetooth-enabled device to play music or other audio through the fireplace speaker system.

Log Lighting

The fireplace features illuminated reactive logs with three lighting modes.

Breathing Mode

Provides a pulsing illumination which causes the brightness of individual logs to slowly increase and decrease, emulating a real fireplace.

Active Mode

Dynamically adjusts log brightness in real time based on fireplace sounds or Bluetooth audio, creating a synchronized audio-visual experience.

Static Mode

Provides constant illumination for a steady log illumination effect.

Operation



Read and understand this entire owner's manual, including all safety information, before plugging in or using this product. Failure to do so could result in electric shock, fire, serious injury, or death.

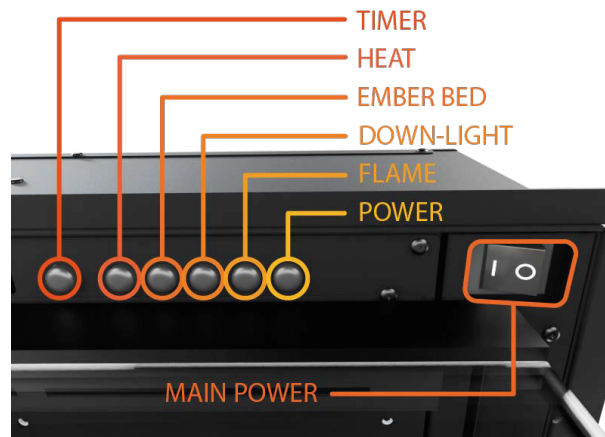
Power

Turn on dedicated breaker. NEVER exceed the maximum amperage for the circuit. DO NOT plug other appliances into the same circuit.

Master Power Switch

Located next to the Touch Control Panel, on the front side, is the Master Power Switch. Ensure the rocker switch is pressed in the "On" position prior to operating the fireplace.

Note: After resetting the Master Power Switch or from a loss of power, the fireplace takes 20-30 seconds before the fireplace is fully booted and operational. Always allow the fireplace to fully shut down or boot up before performing any functions.



Methods of Operation

This electric fireplace can be operated by the TOUCH CONTROL PANEL located on the UPPER right corner of the fireplace (both sides), by the battery-powered REMOTE CONTROL, or by the MODERN FLAMES APP using a smart phone or tablet.

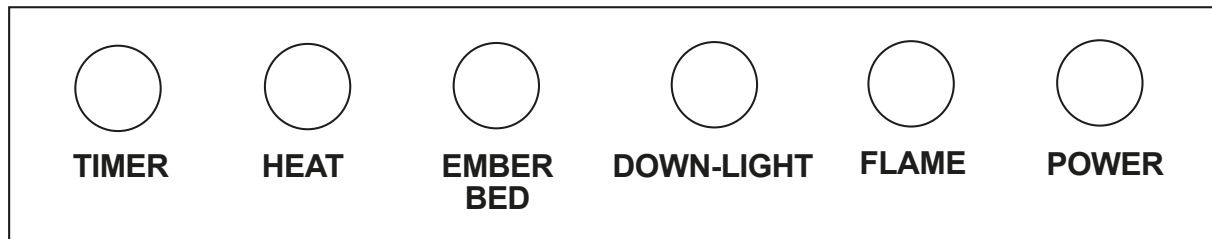
Pairing the Remote









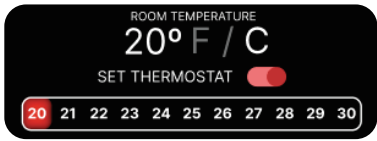

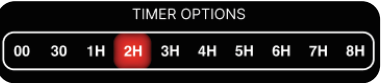
- With the fireplace ON, press and hold the Power button on the fireplace touch controls for 5 seconds until you hear a beep from the fireplace.
- Within 5 seconds of the fireplace beeping, repeatedly press the power button on the remote until the fireplace beeps again.
- Pairing must be completed within 5 seconds or the fireplace pairing will time out of pairing mode.

Clearing the Remote

- With the fireplace ON, press and hold the Downlight and Ember Bed button on the touch controls for 5 seconds, until you hear a beep from the fireplace.

Operation – Touch Control Panel









		<p>Power ON/OFF: Press & Hold for 5 seconds to pair the fireplace remote.</p> <p>Secondary Function: Long Press - Places the fireplace in remote pairing mode.</p>
		<p>Switches between color presets and flame styles. Preset Colors: Yellow (default), Orange, Blue, Aqua, Purple, White. Cycles through all preset colors first before switching to the next flame style. Press & Hold for 5 seconds to pair the Modern Flames App.</p> <p>Secondary Function: Long Press - Places the fireplace in App pairing mode.</p>
		<p>Switches between 10 RGB Down-light colors and auto cycle. Orange, Red, Blue, Yellow, Green, Purple, Aqua, Magenta, Rose, White, Autocycle.</p> <p>Secondary Function: Long Press - Enables/Disables night mode. Color can be cycled while in night mode.</p>
		<p>Switches between 10 RGB Ember bed colors and an auto cycle. Orange, Red, Blue, Yellow, Green, Purple, Aqua, Magenta, Rose, White, Autocycle.</p> <p>Press & Hold 5 seconds for Night Light mode.</p> <p>Secondary Function: Long Press - Enables/Disables the active log lights. Enabled by default.</p>
		<p>Heat cycles between OFF/Fan/Low/High.</p> <p>Note: Press & Hold 5 seconds to lock/unlock heater & thermostat.</p> <p>Secondary Function: Long Press - Enables/Disables the heater lockout. Applies to active side only.</p>
		<p>Timer to turn OFF unit at desired time. From NO timer to 8 hours.</p> <p>Secondary Function: Press & Hold 5 seconds to switch video inputs from the flame video to HDMI, and vice versa.</p>







Operation – Remote Control



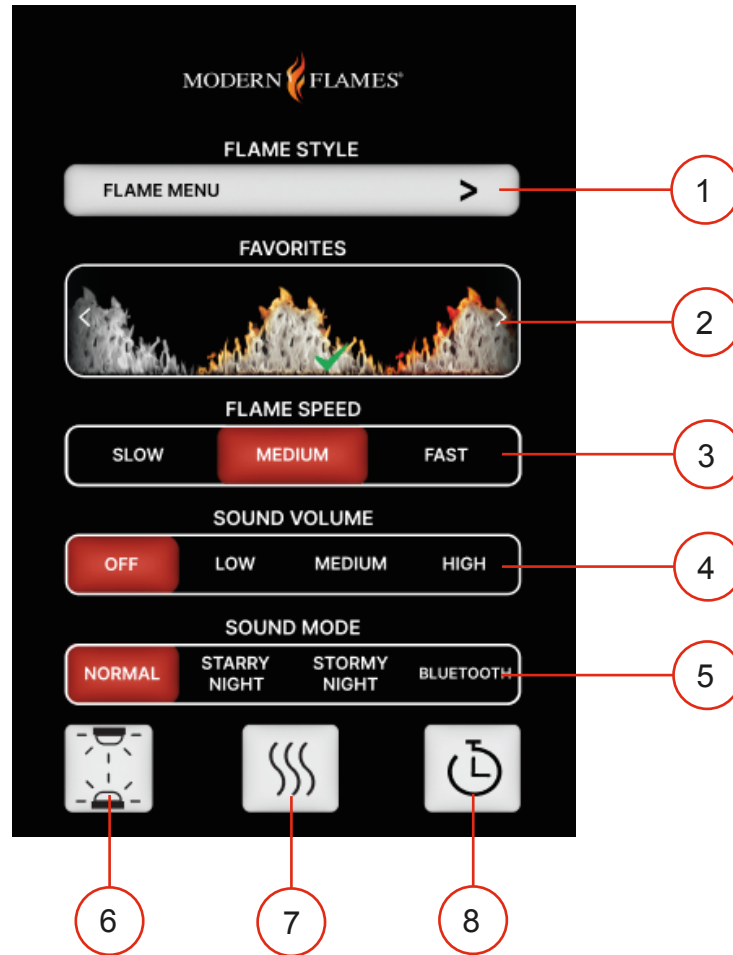
Remote Control Operation

	<p>Power Button</p> <p>Primary Function: ON/OFF Secondary Function: Pairs Remote to Fireplace</p>
	<p>Default/Home Button</p> <p>Primary Function: Reverts the flame settings to flame style 1, color yellow. Ember bed and down light changes to Modern Flames orange. Flame speed changes to medium, sound level changes to medium, and sound mode goes to normal mode. Secondary Function: Long Press – Enters focus adjustment mode to fine tune the screen focus.</p>
	<p>Arrow Buttons</p> <p>Fireplace Mode: Opens – On Screen Control (PIP) PIP Mode: Cursor/Selection</p>
	<p>Selection Button</p> <p>Fireplace Mode – Home page of PIP PIP Mode – Selector/OK Button</p>
	<p>Back Button</p> <p>Primary Function: Back Button Secondary Function: Long Press – Exit PIP</p>
	<p>Flame Style Button</p> <p>Primary Function: Shortcut to Flame Style PIP Secondary Function: Long Press – Favorites Menu/Carousel is highlighted/selected on PIP Home Page</p>

Operation – Remote Control (Continued)

	<p>Lights Button: Primary Function: Shortcut to Downlight/Ember bed PIP Secondary Function: Long Press – Enables/Disables Night Mode. Color can be cycled white while in Night Mode.</p>
	<p>Heater Button: Primary Function: Shortcut to Heater PIP Secondary Function: Long Press – Enables/Disables the heater lockout. Applies to active side only.</p>
	<p>HDMI Mode Button: Primary Function: Places fireplace in HDMI mode. Secondary Function: Long Press – Enables/Disables control of fireplace volume using the streaming device remote. Off by default.</p>
	<p>Timer Button: Primary Function: Shortcut to Heater PIP Secondary Function: N/A</p>
	<p>Screen Flip Button: Primary Function: Screen default picture in picture is to the front of the fireplace. When pressed image flips 180° Secondary Function: Long Press – Enables the flame brightness PIP</p>
<p>+</p>  <p>–</p>	<p>Volume Buttons: Independent Up and Down buttons toggle between volume levels Levels: Off, Low, Medium, High Secondary Function: N/A</p>

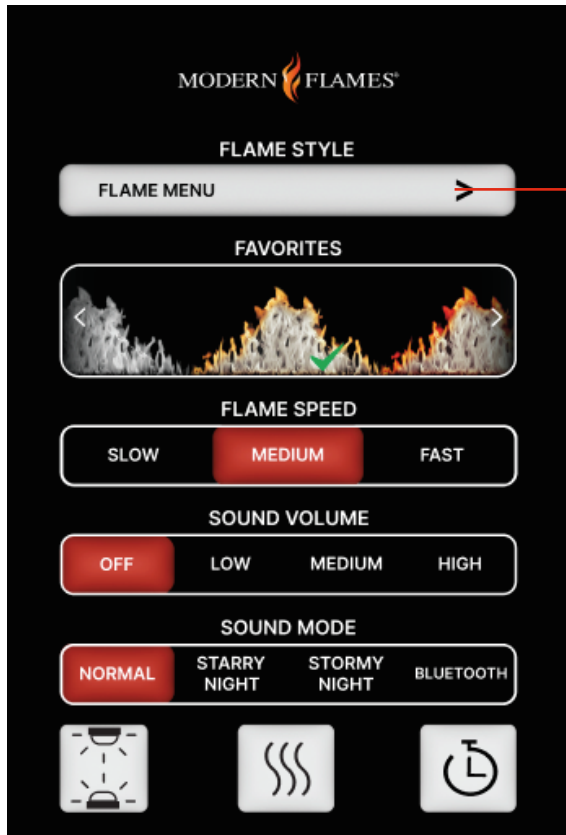
On Screen Controls



Note: Some on-screen controls may not be fully visible. Scroll up/down to view all on-screen controls.

1	Flame Menu: Opens the flame style sub-menu for selecting different flame styles and colors. 4 styles with 6 colors for each style.
2	Favorites: A quick access slider to change between the 6 favorited flame presets as defined in the Modern Flames App.
3	Flame Speed: Changes the flame speed of the currently displayed flames. Cycles between Slow, Medium, and Fast.
4	Flame Volume: Changes the sound effect volume of the fireplace between 4 different volumes. Can cycle between Off, Low, Medium, and High.
5	Sound Mode: Changes the sound mode of the fireplace. Cycles between Normal, Starry Night, Stormy Night, and Bluetooth.
6	Lights: Opens the lights sub-menu for changing the ember bed and downlight colors, ember bed and downlight brightness, ember bed modes, log modes, and night mode.
7	Heater Button: Opens the heater sub-menu for turning on or off the front and or back heater and thermostat.
8	Timer Button: Opens the timer sub-menu for enabling an auto-shutoff timer.

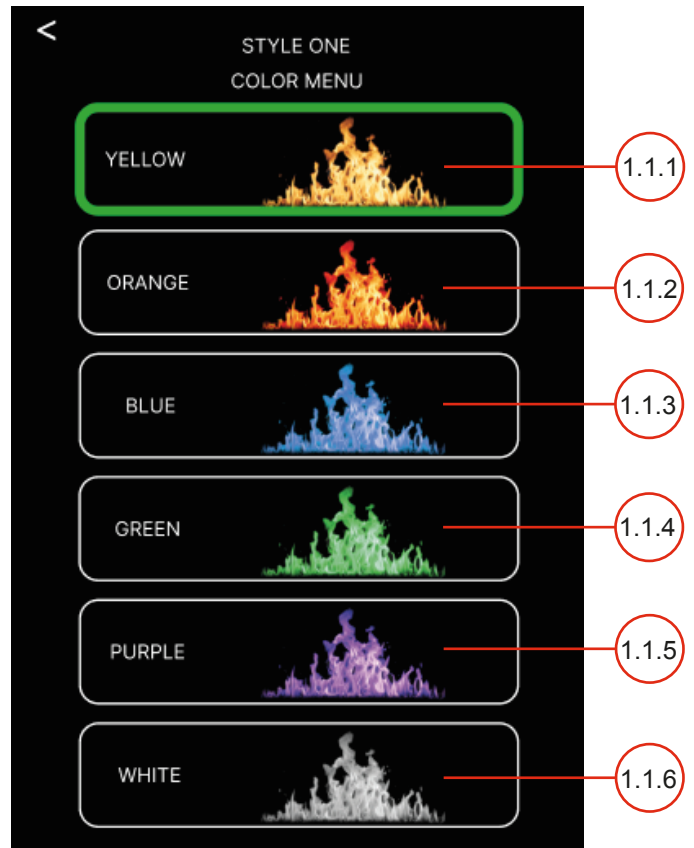
On Screen Controls



1.1	Style One: Opens the flame style one sub-menu.
1.2	Style Two: Opens the flame style two sub-menu.
1.3	Style Three: Opens the flame style three sub-menu.
1.4	Style Four: Opens the flame style four sub-menu.

Note: Flame images are for illustration only and may not match the flames in your fireplace.

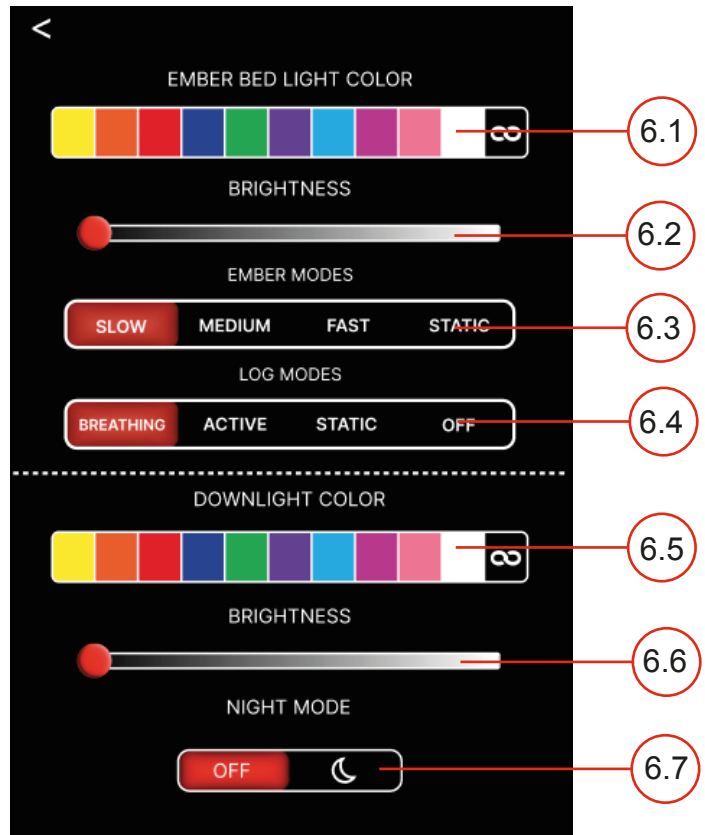
On Screen Controls



Note: Flame Style One (1.1), Two (1.2), Three (1.3), and Four (1.4) all function the same as below.	
1.1.1	Yellow Flame Button: Changes the fireplace to the Yellow flame.
1.1.2	Orange Flame Button: Changes the fireplace to the Orange flame.
1.1.3	Blue Flame Button: Changes the fireplace to the Blue flame.
1.1.4	Green Flame Button: Changes the fireplace to the Green flame.
1.1.5	Purple Flame Button: Changes the fireplace to the Purple flame.
1.1.6	White Flame Button: Changes the fireplace to the White flame.

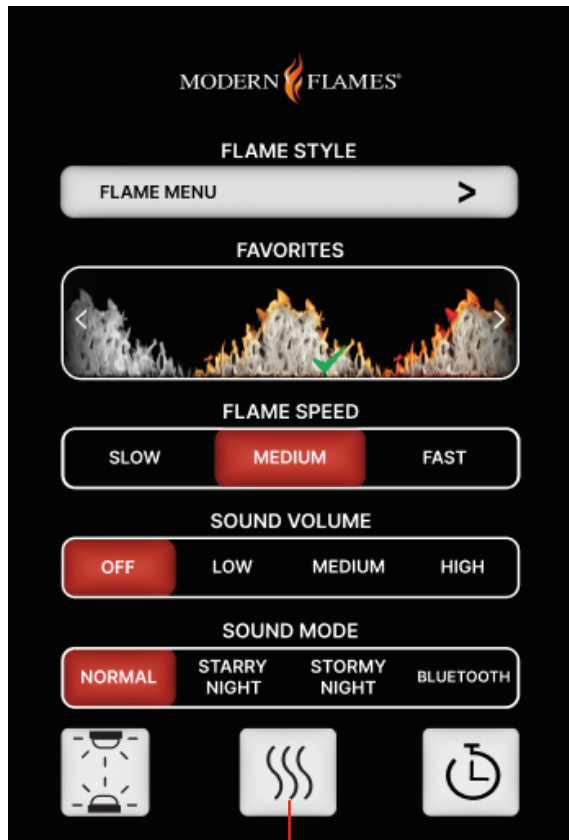
Note: Flame images are for illustration only and may not match the flames in your fireplace.

On Screen Controls

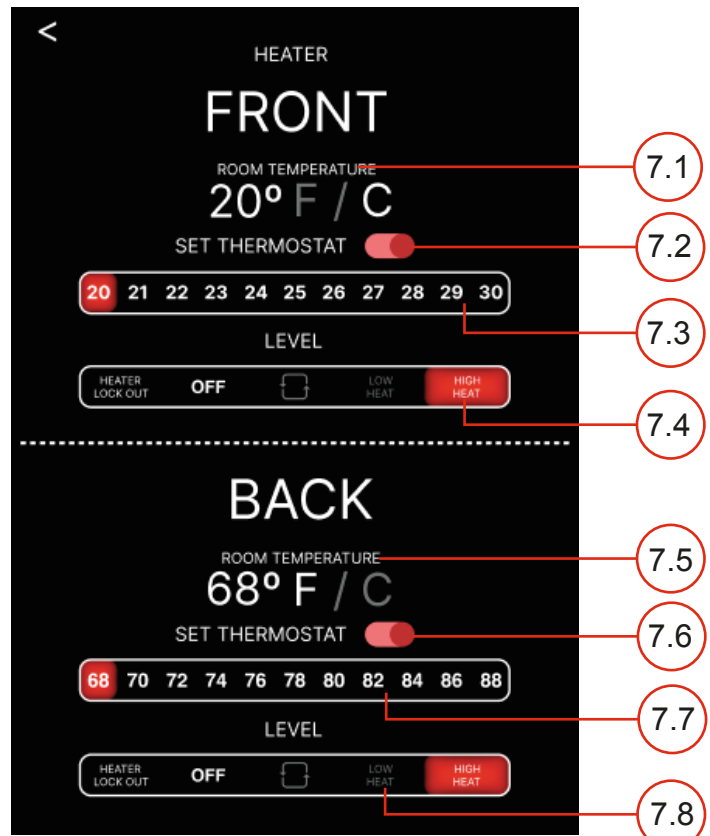


6.1	Ember Bed Light Color: Changes the color of the ember bed and log set. 10 preset colors and 1 color cycle.
6.2	Ember Bed Brightness: Changes the brightness of the ember bed lights.
6.3	Ember Bed Mode: Changes the speed of the active ember bed. Switch between Slow, Medium, Fast, and Static.
6.4	Log Mode: Changes the behavior of the log set. Switch between Breathing, Active, Static, and Off.
6.5	Downlight Color: Changes the color of the downlight. 10 preset colors and 1 color cycle.
6.6	Downlight Brightness: Changes the brightness of the downlight.
6.7	Night Mode: Enables Night Mode. All features of the fireplace turn off except for the downlight. Color can still be cycled.

On Screen Controls



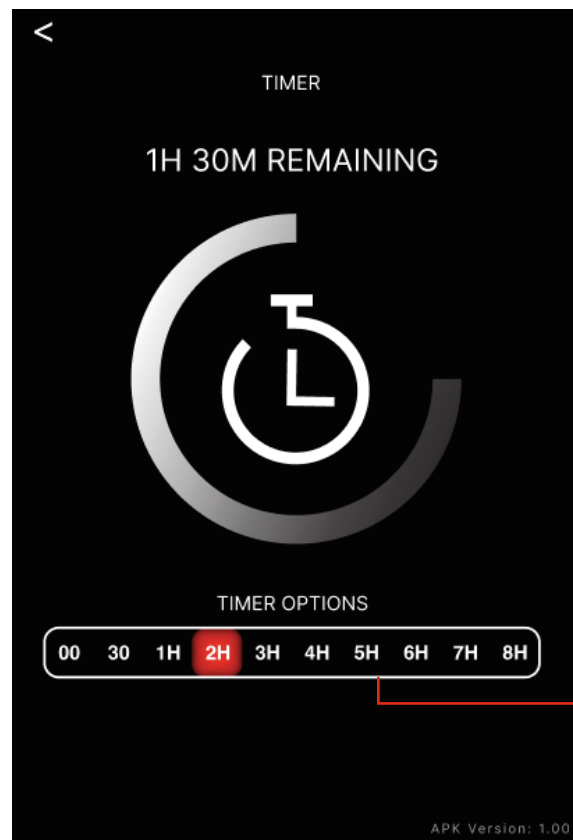
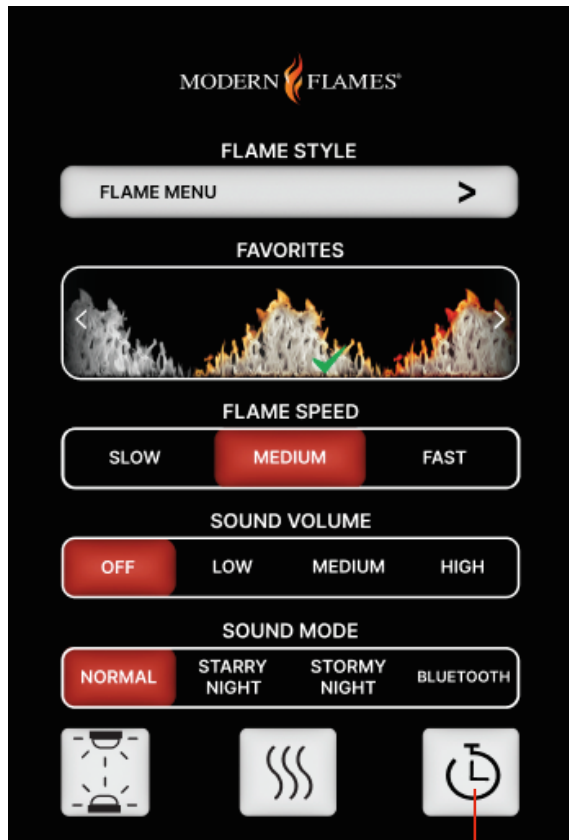
7



7.1	Front Thermostat: Shows the current ambient temperature for the front of the fireplace. Pressing changes the scale of the fireplace between Fahrenheit and Celsius
7.2	Thermostat Toggle: Enable the use of the thermostat temperature slider for the front heater. Disables levels controls and cycles heater ON/OFF based on thermostat slider.
7.3	Thermostat Slider: Changes the thermostat value of the fireplace, enabling or disabling the front heater at the set temperature. Once set temperature is reached, heater will cycle OFF/ON to maintain set temperature.
7.4	Heater Lever: Changes the settings of the front heater. Switch between Heater Lock Out (disabled), Off, Recirculate (fan only), Low Heat, and High Heat.
7.5	Back Thermostat: Shows the current ambient temperature for the back of the fireplace. Pressing changes the scale of the fireplace between Fahrenheit and Celsius.
7.6	Thermostat Toggle: Enable the use of the thermostat temperature slider for the back heater. Disables levels controls and cycles heater ON/OFF based on thermostat slider.
7.7	Thermostat Slider: Changes the thermostat value of the fireplace, enabling or disabling the back heater at the set temperature. Once set temperature is reached, heater will cycle OFF/ON to maintain set temperature.
7.8	Heater Lever: Changes the settings of the back heater. Switch between Heater Lock Out (disabled), Off, Recirculate (fan only), Low Heat, and High Heat.

Note: The displayed temperature may differ from the actual room temperature due to installation location, room size, airflow, drafts, insulation, and other ambient conditions.

On Screen Controls



8.1

8

8.1	Preset Timer Options: Changes the amount of time for the fireplace to run before turning off. Once the time has expired, all function of the fireplace are turned off. Switch between 00 (off), 30 mins, and 1 hour increments up to 8 hours
-----	---

Download Smart Phone App

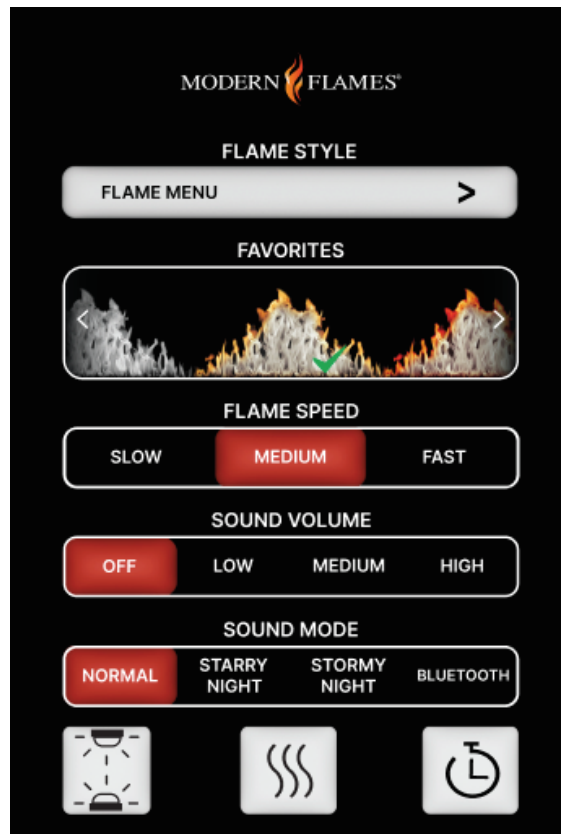
Smart Phone App Connection

Note: Download the Modern Flames App from your App store before connecting



MODERN FLAMES®
ELECTRIC FIREPLACES

Download Mobile App



See modernflames.com for app pairing and usage instruction.

Note: The APP is subject to change without notice. Images shown may not represent current APP configuration.

Operation (Continued)

Streaming Device

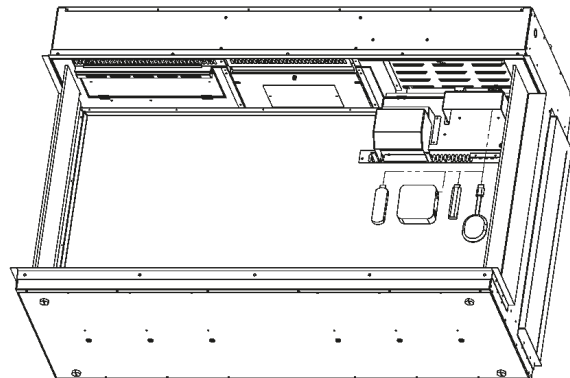
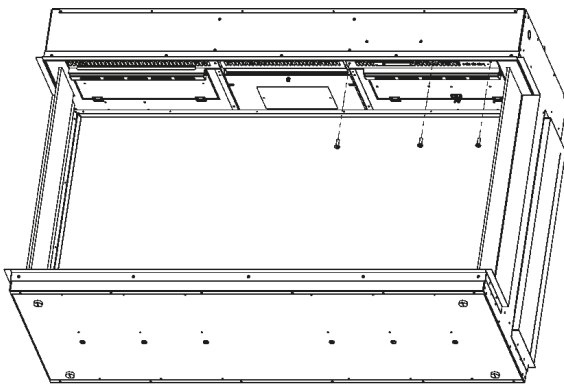
This fireplace is equipped with the ability to install a streaming device (not included) to allow the user to stream their favorite streaming platform onto the fireplace. Most major brands of streaming devices can be used.

Note: The remote that came with the fireplace will be used to enter and exit streaming mode but the streaming device will be controlled with the remote the streaming device came with.

- From the backside of the fireplace, remove the glass face. See “Glass Removal/Installation” page 10.
- Looking at the ceiling of the viewing area, in the front, right-hand corner, find the three screws that are holding the access panel in place.
- Remove the three screws and place them in a safe place. Ensure that one hand is kept on the access panel at all times while in the closed position, to prevent it from swinging down and causing damage to the fireplace.
- Gently lower the access panel until the panel hangs freely. Be careful of any wires that may also rotate down with the service panel.
- Attached to the inside of the access panel is a small cover with an HDMI input, USB-C power output, USB-A power output, and a 120V power plug.
- Plug the streaming device (not included) into the HDMI plug and the appropriate power plug. Ensure the wires are properly stored and out of the way of any of the internal fireplace components.
- Swing the access panel back into position and fasten with the three screws that were previously removed.
- Replace the front glass that was previously removed.

Caution: Customers assume full responsibility for any damage to the fireplace caused by installing a streaming device.

Note: Installation of a streaming device in the streaming cavity may impact the streaming device performance or lifespan.



Operation – Important Warnings

Note:

When the heater is first turned on, a slight odor may be present. This is normal and should not occur again unless the heater is not used for a long period of time.

To improve operation, aim the remote control at the front of the fireplace. Quickly pressing buttons on the remote without allowing the fireplace to complete the previous operation may result in operational errors. Allow the fireplace to complete each command before issuing another.

Remote Control Battery Information

- The remote control uses two AAA batteries (included).

Adding the Remote Control Battery

- Looking at the backside of the remote, locate the removeable door to the battery compartment.
- Gently slide the battery door down, towards the bottom edge of the remote.
- Taking the supplied batteries, place them in the remote. Ensure that the “+” of the batteries align with the “+” inside the battery cavity.
- Replace the battery door by sliding it back into position, starting from the base of the remote.

Replacing the Remote Control Battery

- Follow the previous steps of adding the remote control battery to open up the battery compartment, exposing the old batteries.
- Remove the old batteries and dispose of them properly.
- Taking new batteries, place them in the remote. Ensure that the “+” of the batteries align with the “+” inside the battery cavity.
- Replace the battery door by sliding it back into position, starting from the base of the remote.

Temperature Limiting Control

This heater is equipped with a Temperature Limiting Control. Should the heater reach an unsafe temperature, the heater will automatically turn Off.

To Reset:

- Remove power from the fireplace. Wait 5 minutes. Unplug the fireplace or turn off the appropriate breaker at the circuit breaker box.
- Inspect the fireplace to ensure no vents are blocked or clogged with dust or lint. Using a vacuum can help clear the areas if needed.
- Restore power to the fireplace.
- If problem continues, have the wiring and outlet inspected by a professional.

Care, Cleaning and Maintenance



Always turn the heater OFF, allow it to cool, and disconnect before cleaning, performing maintenance, or moving this fireplace. Failure to do so could result in electric shock, fire, or personal injury.

Never immerse in water or spray with water. Doing so could result in electric shock, fire, or personal injury.

Cleaning

- Metal surfaces: Clean with a soft cloth lightly dampened with a mild cleaner.
- Glass: Use a good quality glass cleaner and dry thoroughly with a lint-free cloth or paper towel. For best results, apply glass cleaner to the cloth instead of spraying it directly onto the fireplace.
- Vents: Use a vacuum or soft brush attachment to remove dust, dirt, and lint from the vent areas.

Do Not

- Do not use abrasive cleaners, liquid sprays, harsh chemicals, solvents, or scouring pads on any surface of the fireplace.
- Do not allow water or other liquids to enter the fireplace.
- Do not block or obstruct any air inlet or outlet.
- Do not operate the fireplace with an accumulation of dust or dirt on or in the unit.
- Do not attempt to open panels or disassemble internal components.

Maintenance

- Inspect and clean the fireplace and vent areas at least once per year, or more often depending on usage and installation conditions.
- Keep all air inlets and outlets clean and free from obstruction.
- When not in use for an extended period, turn power off to the fireplace.

Replacement Parts List

REF.	SPARE PARTS, PART NUMBER	NOVA 48
1	Heater Fan	01-00238
2	Heater Core	01-00239
3	Thermostat	01-00240
4	Glass Face (Front/Back)	04-00080
5	Side Glass	04-00081
6	Log Set Front	05-00229
7	Log Set Back	05-00267
8	Ember Bed LED Section	01-00241
9	Downlight LED Section	01-00243
10	Touch Control Board	01-00244
11	Main Power Switch	01-00328
12	Power/Data(UART) Board	01-00245
13	Wi-Fi Module	01-00246
14	USB Thumb Drive	01-00249
15	Main Control Board	01-00250
16	Fireplace Remote Control	01-00251
17	Power Supply	01-00255
18	Film Assembly	13-00140
19	Projection Assembly	13-00127
20	Speakers	01-00257
21	Projector Remote (Special order for service technicians only).	01-00252

Note: All warranty replacement parts are subject to approval by Modern Flames Technical Support Team. Tracking information for the returned item may be required before a replacement will be issued.

DO NOT RETURN TO STORE



CALL US FIRST

For immediate help with installation, product information or if your product arrives damaged, please call our toll-free number at:

1-877-246-9353

(Monday – Friday, 8:00AM – 5:00PM, AZ Mountain Time)

Or email us at:

customerservice@modernflames.com

OUR STAFF IS READY TO PROVIDE ASSISTANCE

RPG BRANDS

RPG BRANDS FAMILY OF COMPANIES

MODERN FLAMES
ELECTRIC FIREPLACES

WILDFIRE
ELECTRIC FIREPLACES

GRAND CANYON
GAS LOGS

SUMMIT®
OPEN LUXURY FIREPLACES

customerservice@modernflames.com

www.modernflames.com

Copyright © 2024 RPG Brands (Modern Flames). All rights reserved. Products and specifications subject to change without notice. The product images shown are for illustration purposes only and may not be an exact representation of the product.