



Floating Shelf

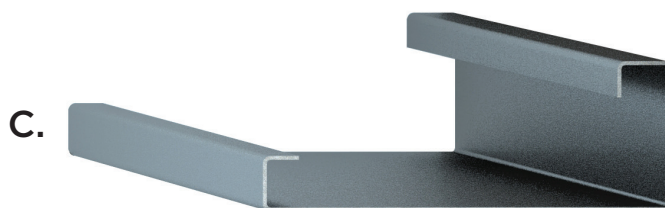
Assembly & Installation

Thank You!

Thank you for purchasing a Stoll Shelf! We are confident this quality product will last you for years to come. If you need further help or additional information regarding installation, please reach out to your local dealer for assistance.

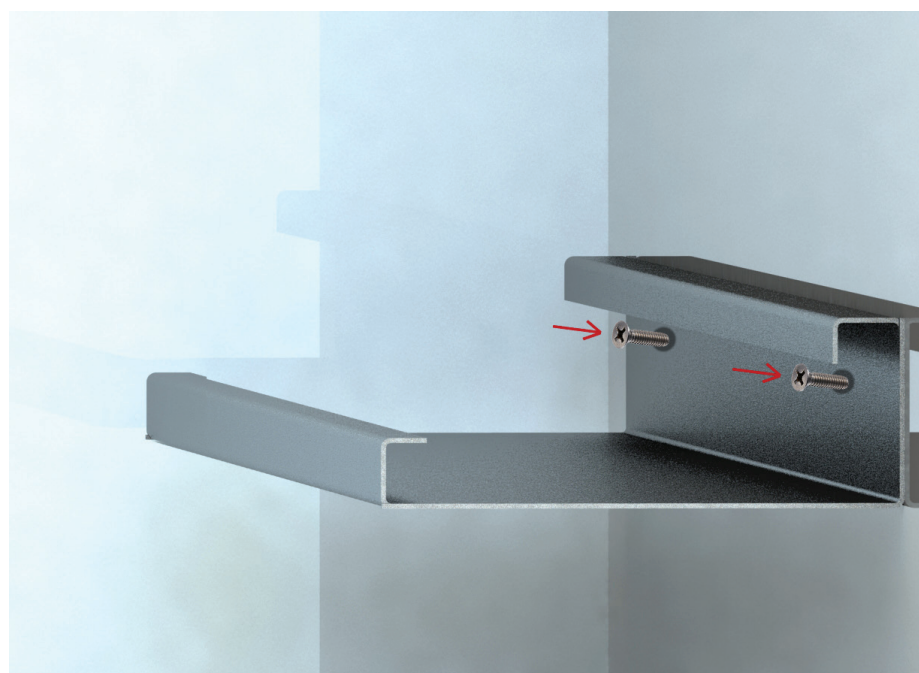
Parts & Materials

- A. 2.5" Wood Screws: 6
- B. Top Shelf Cap
- C. Shelf Backplate



Mounting

1. Separate the Shelf top cap (B) from the backplate (C).
2. Position and level the backplate in desired location against the wall/mounting surface.
3. Using the provided screws (A) or appropriate fasteners for your mounting surface, fasten the backplate to your mounting surface through the laser-cut mounting slots in the backplate.

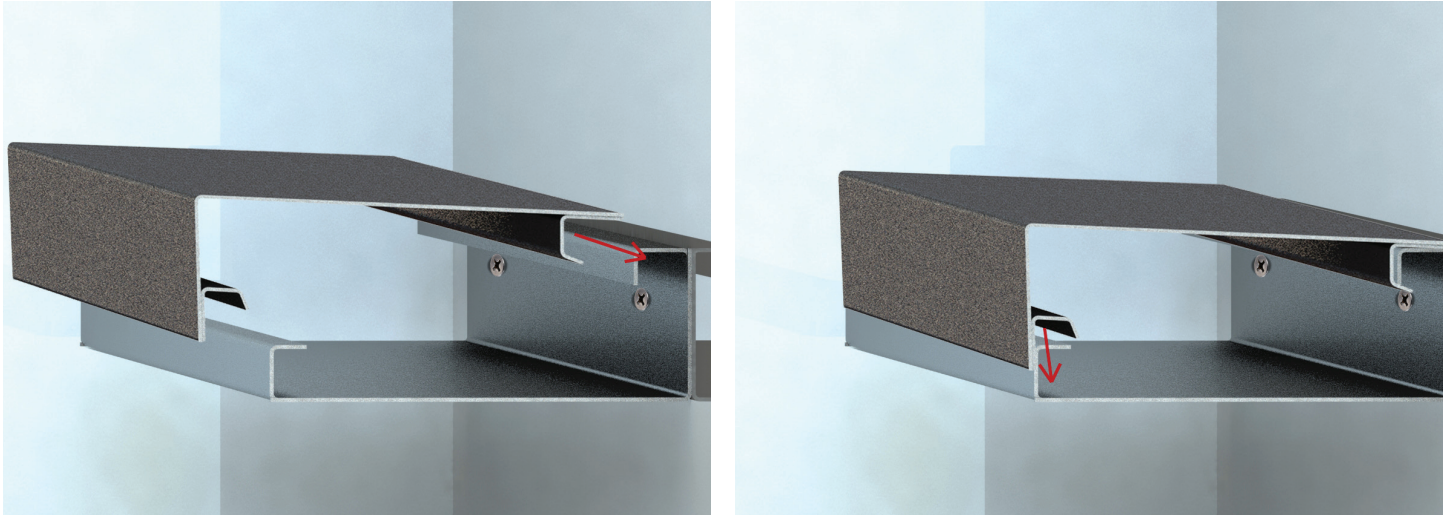


Assembly

(If you have a Transitional Style shelf, please skip to the next section below.)

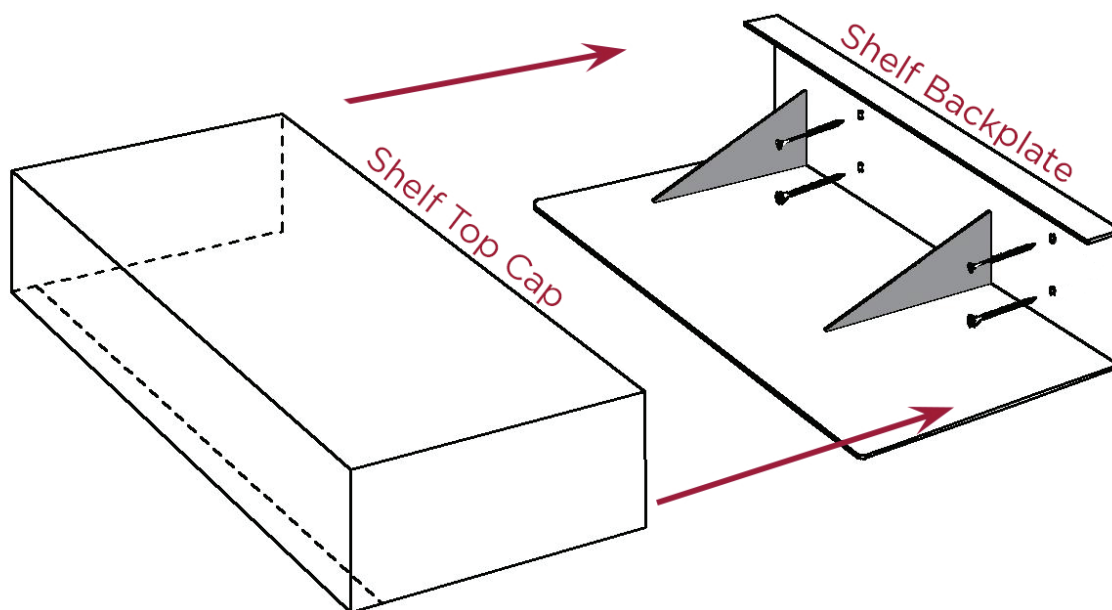
5. Place the rear of the top cap onto the rear bracket of the backplate, and slide firmly into place (See Image 2).

6. Lower the front of the top cap onto the front bracket of the backplate, and press firmly into place.



Transitional Shelf Assembly

If you purchased the Transitional style shelf, the top cap attaches differently than our other shelf styles. Place the Shelf top cap against the shelf backplate, and slide the top cap backward into place. The friction tabs on the top cap should firmly grip the backplate, securing it in place.



LED Light Package (optional)

8. If your shelf includes led lights without the speaker package, follow the steps below:

- a. Insert the lights into the pre-drilled holes.
- b. Connect all items together in the order shown below, and plug the 110v standard plug into a nearby outlet.

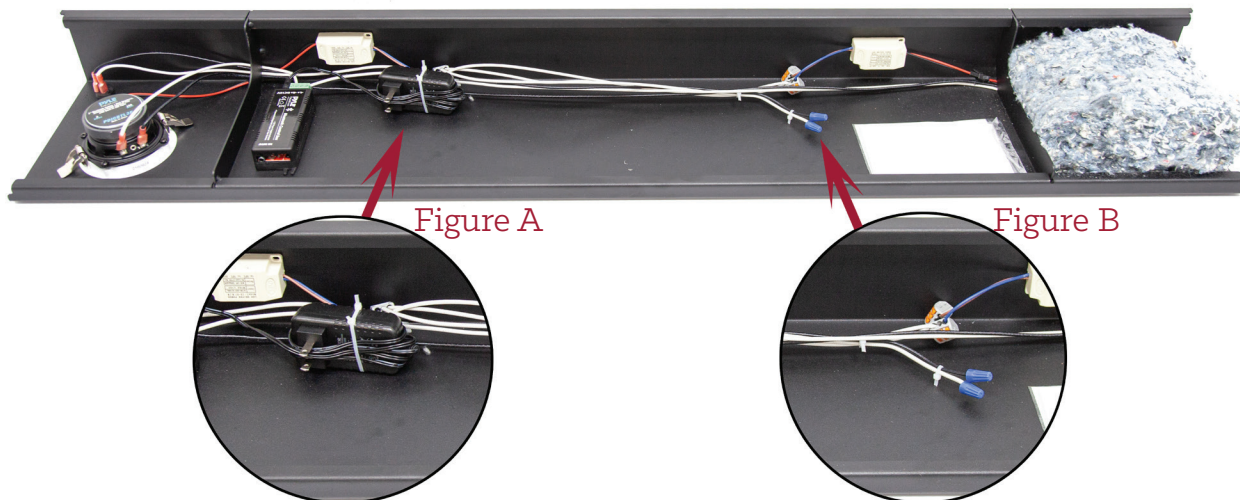


Light & Bluetooth Package (optional)

7. If your shelf includes a Bluetooth light and speaker package, follow the steps below:

- a. Plug the standard 110v plug into a nearby outlet. (Figure A)
- b. Connect the black Live Wire and white Neutral Wire to a constant power source, or to the plug of your choice. (Figure B)

Caution: Identify the panel circuit of the switch or outlet, and turn it OFF before working with wiring. Contact your electrician if you are unsure of the codes for your area or proper electrical wiring method.



Warranty & Care

Your Stoll Shelf is covered by a 5 year limited warranty. For more information, please visit www.stollindustries.com/resources. All warranty claims must be placed through your local dealer.

Your Stoll product can be cleaned using a damp cloth, or mild household cleaner. To avoid damage to the finish, cleaners containing ammonia or other harsh chemicals should be avoided.

⚠️ WARNING

This product can expose you to chemicals including Carbon Black, which is known to the state of California to cause Cancer. For more information go to www.P65Warnings.ca.gov