



Order No. 500004329
Model No. CBX1000-AM

Notes:

Section 10309 - Manufactured Electric Fireplaces

PART 1 GENERAL

1.1 SECTION INCLUDES

- A. Manufactured electric fireplaces.
- B. Accessories

1.2 RELATED SECTIONS

- A. Section 06100 - Rough Carpentry: Wood framed rough opening and enclosure.

1.3 REFERENCES

- A. UL - 2021
- B. CSA - C22.2 No. 46

1.4 SUBMITTALS

- A. Submit under provisions of Section 01300.
- B. Product Data: Manufacturer's data sheets on each product to be used, including:
 - 1. Preparation instructions and recommendations.
 - 2. Storage and handling requirements and recommendations.
 - 3. Installation methods.
- C. Manufacturer's Certificates: Certify products meet or exceed specified requirements.
- D. Manufacturer's warranty.

1.5 DELIVERY, STORAGE, AND HANDLING

- A. Store products in manufacturer's unopened packaging until ready for installation.
- B. Protect materials from exposure to moisture. Do not deliver until after wet work is complete and dry.

1.6 WARRANTY

- A. Provide the manufacturer's 2-year limited warranty on electrical components.

PART 2 PRODUCTS

2.1 ACCEPTABLE MANUFACTURERS

- A. Pre-fabricated Electric Fireplace:
 - 1. Base: Dimplex Electric Fireplace
Glen Dimplex Americas
1367 Industrial Road
Cambridge ON N3H 4W3
1-888-346-7539
www.dimplex.com
 - 2. Substitutions not permitted
 - 3. Requests for substitutions will be considered in accordance with provisions of Section 01600.



Order No. 500004329
Model No. CBX1000-AM

Notes:

Section 10309 - Manufactured Electric Fireplaces

2.2 ELECTRIC FIREPLACES

A. General:

1. Provide all components and accessories required for a complete, functional unit.
2. UL or CSA listed.

B. Pre-fabricated Electric Fireplace:

1. Base Product:

- a) Dimplex Electric Fireplace, includes:
- b) Material Number: 500004329, Regulatory model number: 6914300100
- c) Material Number: CDFI500-PRO-RGB, Regulatory model number: 6914240200

2. Description: Optimyst RGB Pro Box 40" Water Vapor Fireplace

3. Dimensions (with included trim):

- a) Width: 46-5/8" / 118.4 cm
- b) Height: 31-3/4" / 80.5 cm
- c) Depth: 16-1/4" / 41.2 cm

4. Framing Dimensions:

- a) Width: 45-1/4" / 115.2 cm
- b) Height: 32-3/8" / 82.0 cm
- c) Depth: 14-3/4" / 37.3 cm

5. Electrical:

- a) Volts: 120 V
- b) Watts: 1460 W
- c) Amps: 12.1 A

6. Venting: Non-venting

CAUTION: When determining a location for the Optimyst RGB Pro Box, ensure that the unit will not be susceptible to drafts, vents, ceiling fans and other air currents. Similar to a candle, large movements of air will affect the unit's ability to create and maintain the flame effect. An optional glass pane can be purchased for see through applications. The firebox comes with one pane of glass for 1 sided installation.

7. Operation: Flame only, flame and heat

8. Heating: Fan-forced heater

9. Standard features:

- a) Patented 3D flame effect produced by LED lights and fine mist
- b) Optional plumbing connection for continuous water supply
- c) Overflow sensor to automatically shut off water supply to prevent leaks
- d) Adjustable flame intensity control



Order No. **500004329**
Model No. **CBX1000-AM**

Notes:

Section 10309 - Manufactured Electric Fireplaces

- e) Safe, cool-touch surfaces, ideal for residential and commercial applications
- f) Front glass used for single sided applications where drafts may be a concern. Use along with optional Rear Glass Pane for see-through installations

11. Control options:

- a) Direct wired to 120V circuit
- b) Multi-functional remote
- c) Bluetooth receiver with manual controls
- d) Built-in controls
- e) Flame Connect app

12. Optional Accessories:

- a) Rear glass pane, use with X-FG1000 for see-through design
- b) Plumb kit for continuous water supply – X-CDFIPLUMB-KIT
- c) Other optional accessories available

PART 3 EXECUTION

3.1 INSPECTION

- A. Do not begin installation until substrates have been properly prepared.
- B. If substrate preparation is the responsibility of another installer, notify Architect of unsatisfactory preparation before proceeding.
- C. Verify proper power supply and fuel source are available.

3.2 PREPARATION

- A. Clean surfaces thoroughly prior to installation.
- B. Prepare surfaces using the methods recommended by the manufacturer for achieving the best result for the substrate under the project conditions.

3.3 INSTALLATION

- A. Install in accordance with manufacturer's instructions and requirements of authorities having jurisdiction.
- B. Use manufacturer's guidelines for minimum clearances to combustibles, walls, and finishes.
- C. Anchor all components firmly in position for long life under hard use.
- D. Upon completion of installation, visually inspect all exposed surfaces. Touch up scratches and abrasions with touch up paint recommended by the manufacturer; make imperfections invisible to the unaided eye from a distance of 5 feet (1.5 m).
- E. To use the mobile app, install where a WiFi connection is available.

3.4 PROTECTION

- A. Protect installed products until completion of project.
- B. Touch-up, repair or replace damaged products before Substantial Completion.

END OF SECTION

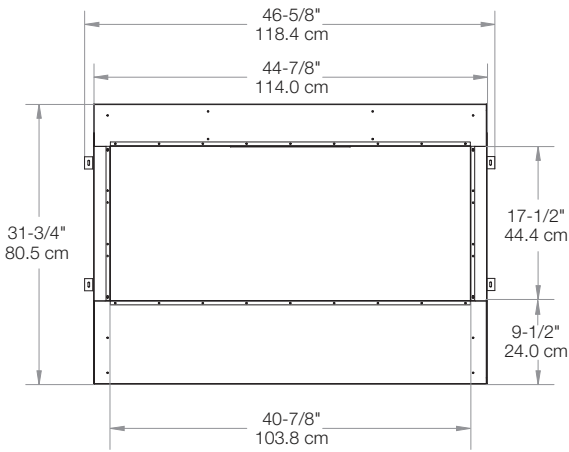


Order No. **500004329**
Model No. **CBX1000-AM**

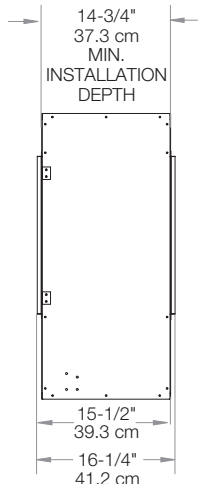
Notes:

Product Dimensions:

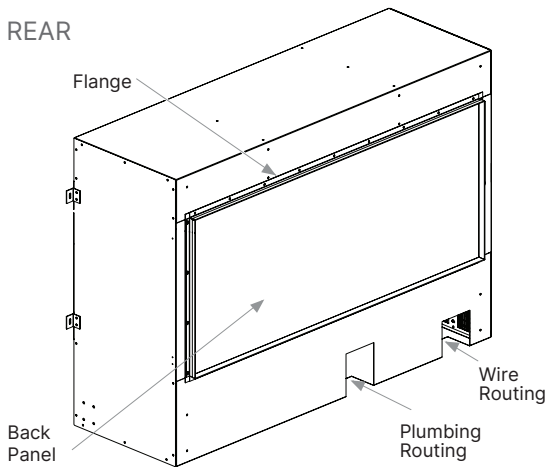
FRONT



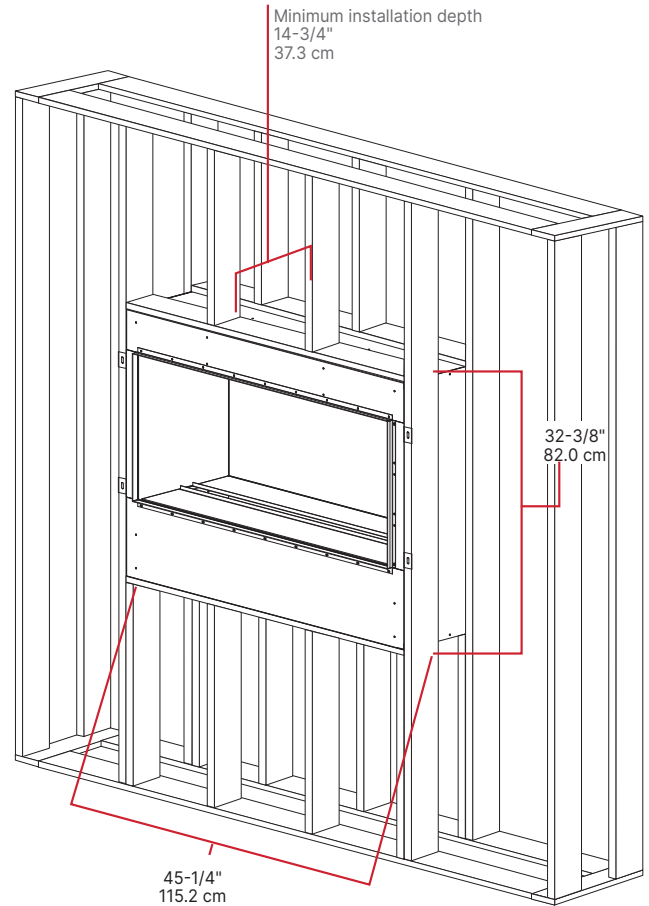
SIDE



REAR



Framing Dimensions:



Bluetooth Receiver
Must be connected for operation.
Can be recessed inside the wall
or installed for remote control
accessibility.